

**GIGLI & MASSIMO**  
ITALY

**GIGLI & MASSIMO**  
ITALY

A THOUSAND ROADS LEAD ME FOREVER...

H O M E



USA  
[www.gigliandmassimo.com](http://www.gigliandmassimo.com)

EUROPE  
[www.eurocomaco.com/gigli-massimo-italy-1.html](http://www.eurocomaco.com/gigli-massimo-italy-1.html)



**GIGLI & MASSIMO**  
ITALY

Showroom  
EUROCOMACO S.R.L. Via Salvemini 9 - 9A Signa -FI- ITALIA  
Tel. 055.8728205 e-mail: [gigliandmassimo@eurocomaco.it](mailto:gigliandmassimo@eurocomaco.it)

# Our Story

Passion can be defined as "boundless enthusiasm"

The Visionary / The Artist

## Massimo

Massimo Pizzolo is an exceptional industrial designer and space planner, with over 30 years of experience in the beauty industry. He has acquired numerous awards, including a nomination for the prestigious ESTETICA DESIGN Award and The Best of the Year Award 2005, in Cannes city of France. Massimo has been published in over 40 magazines, worldwide. His captivating, finely balanced works, are in many beauty accessories, top salons and spa decors, globally.

Massimo is an in-demand designer for the beauty industry, as a whole. He has worked with some of the biggest and most respected names in the beauty industry, including L'Oreal, John Paul Mitchell Systems, Wella, Abba, L'Anza, Joico, Zotos International, Fantastic Sams, Fudge, Davines, Nexxus, AG Hair, English Idea, TIGI, and of course Toni & Guy. Massimo's extensive knowledge of materials and construction, enables him to create spaces and pieces that are as much practical as they are beautiful. In addition to his many talents, Massimo has currently launched an elegant line of salon furniture and equipment. His ability to offer tremendous diversity in product development, along with providing high end designs at affordable prices, is his competitive edge.



GIGLI & MASSIMO ITALY

The Vision / The Company

## Who we are

A profound passion, determination, and desire to create, is an intangible ingredient that separates Gigli&Massimo-Italy from the rest. Their devotion to influence, improve, and deliver, is the prominent reason for their success.

Emerging from a unique mix of vision, experience and resources, Gigli&Massimo-Italy is a new and innovative name, in the beauty industry.

Gigli&Massimo-Italy is a product of global influence and collaboration, between European partner Roberto Gigli and his son Filippo and US partner Massimo Pizzolo.

Roberto Gigli is an established industrial designer and founder of the company. He has over 40 years of experience, designing spaces for beauty professionals all across Europe.

Massimo Pizzolo, has been a prime-mover in the beauty industry in the US and Europe, for 30 years. He has been dubbed, "an industrial mastermind with the attention of an architect and the skills of a master-builder." Massimo is the motivation behind the materialization and growth of the Gigli&Massimo-Italy brand. Since Massimo's arrival to the US from Italy (in the late 1980's), he has worked prolifically both in and out of the beauty industry. He has established himself as a respected accomplished artist, and has become an authority in design and manufacturing.

Gigli&Massimo-Italy is a manufacturing company worldwide. The essence of our inspiration, stems from our Italian heritage and informs everything we do. Our focus is the creative, administrative and educational spaces, used by beauty professionals. We are geared towards building a great brand, a great business, and educating future professionals.



Roberto Gigli



# Publications

Some of the pub Massimo has received ▶



## The Best of the Year Award

Cannes, France 2005 / Special Nomination



## Toni&Guy Franchising

Massimo Today



















GIGLI & MASSIMO



# Products

Equipping the professional with the right tools and the right environment

Salon Chairs	 <p>Olivia</p>	 <p>Charmer</p>	 <p>Devine</p>	 <p>Angel</p>
Salon Mirrors	 <p>Smiley</p>	 <p>Illusion</p>	 <p>Mirage</p>	 <p>Radiant</p>
Manicuring Tables	 <p>Butterfly</p>	 <p>Butterfly (shown open)</p>	 <p>Streamer</p>	 <p>Color me pinball</p>
Wash Units	 <p>Wave</p>	 <p>Reef</p>	 <p>Coral</p>	 <p>Cascade</p>

PRODUCTS



Design should evoke an emotion

We don't just appreciate beauty, we create it



GIGLI & MASSIMO  
ITALY

# Salon Chairs

**GIGLI & MASSIMO**  
ITALY



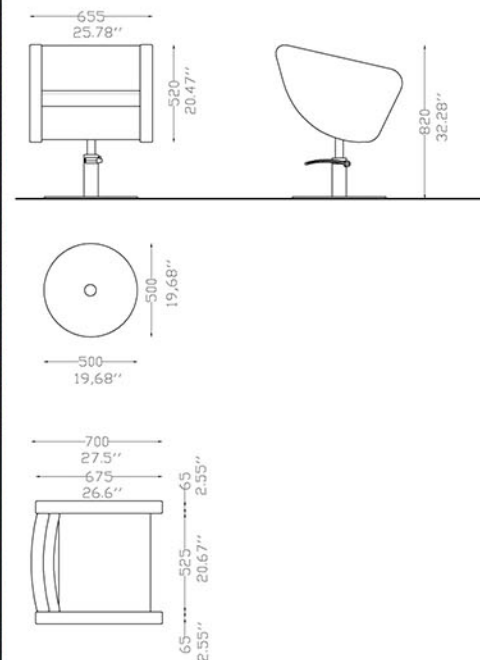


## DIVINE GM11

Poltrona lavoro rivestita in skay completa di base rotonda in acciaio e pompa idraulica con il blocco.

Accessori compatibili: poggiatesta art. GM11 PT e poggiapiedi art. GM11 PP.

Styling chair covered in skay, complete of steel round base with hydraulic pump with the block.  
Optionals: headrest art. GM11 PT and footrest art. GM11 PP.



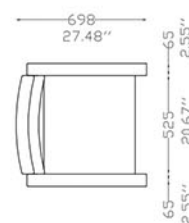
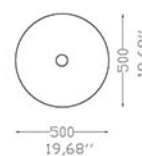
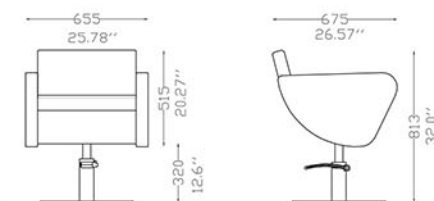


## FOXI GM12

Poltrona lavoro rivestita in skay completa di base rotonda in acciaio e pompa idraulica con il blocco.

Accessori compatibili: poggiatesta art. GM12 PT e poggiatesta art. GM12 PP.

Styling chair covered in skay, complete of steel round base with hydraulic pump with the block.  
Optionals: headrest art. GM12 PT and footrest art. GM12 PP.







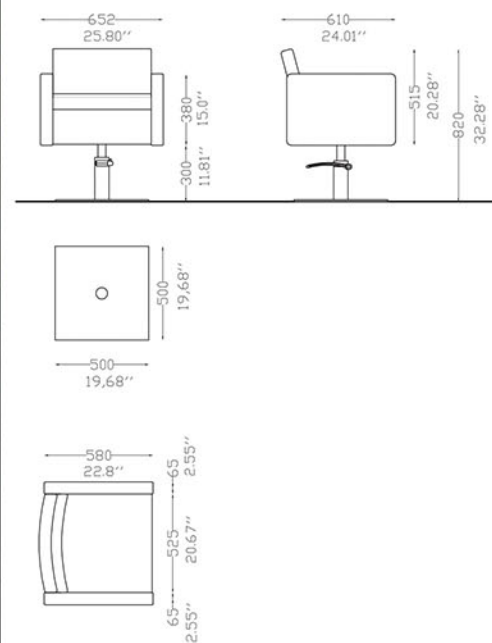
## SUAVE GM13

Poltrona lavoro rivestita in skay completa di base quadrata in acciaio e pompa idraulica con il blocco.

Accessori compatibili: poggiatesta art. GM13 PT e poggipiedi art. GM13 PP.

Styling chair covered in skay, complete of steel square base with hydraulic pump with the block.

Optionals: headrest art. GM13 PT and footrest art. GM3 PP.



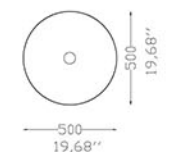
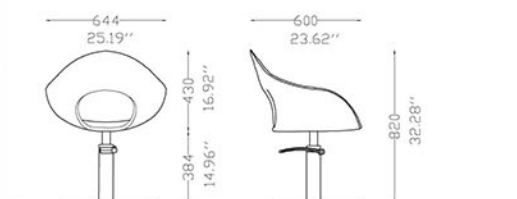


# AURORA GM14

Poltrona lavoro rivestita in skay completa di base rotonda in acciaio e pompa idraulica con il blocco.

Accessori compatibili: poggiapiedi art. GM14 PP.

Styling chair covered in skay, complete of steel round base with hydraulic pump with the block.  
Optionals: footrest art. GM14 PP.





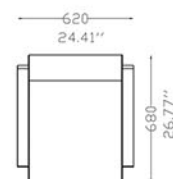
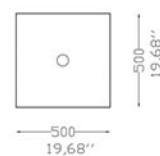
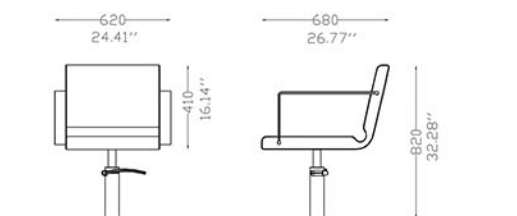
## CHARMER GM15

Poltrona lavoro rivestita in skay completa di base quadrata in acciaio e pompa idraulica con il blocco.

Accessori compatibili: poggiapiedi art. GM15 PP.

Styling chair covered in skay, complete of steel square base with hydraulic pump with the block.

Optionals: footrest art. GM15 PP.





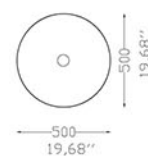
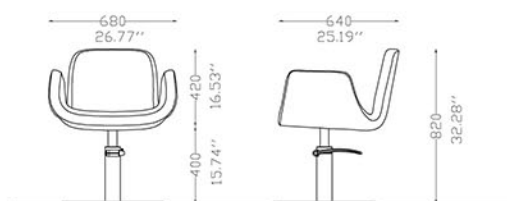
## ANGEL GM16

Poltrona lavoro rivestita in skay completa di base rotonda in acciaio e pompa idraulica con il blocco.

Accessori compatibili: poggipiedi art.GM15 PP.

Styling chair covered in skay, complete of steel round base with hydraulic pump with the block.

Optionals: footrest art. GM16 PP.





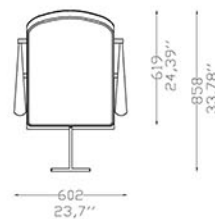
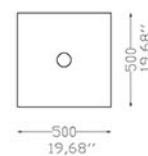
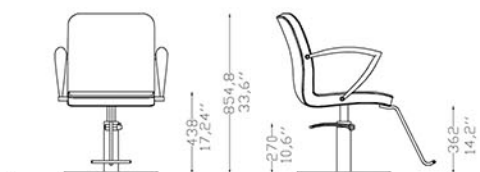


## ALLURE GM18

Poltrona lavoro rivestita in skay completa di base quadra in acciaio e pompa idraulica con il blocco.

Accessori compatibili: poggipiedi art. GM18 PP.

Styling chair covered in skay, complete of steel round base with hydraulic pump with the block.  
Optionals: footrest art. GM18 PP.





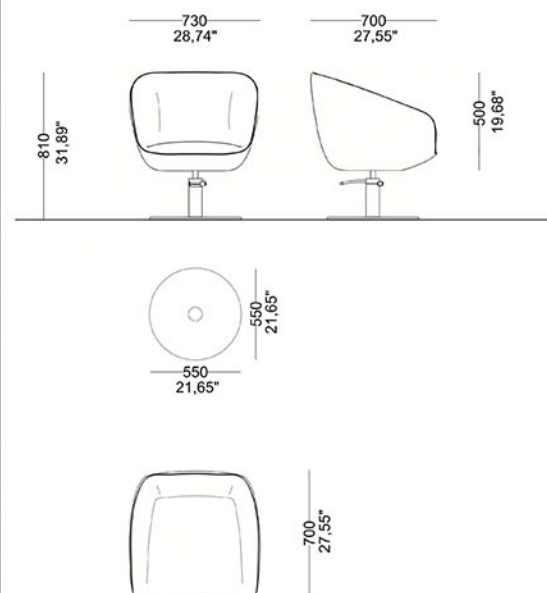
## MARGOT GM20

Seduta ergonomica e molto accogliente. Sono disponibili varie combinazioni di basi e tipologia di pompe idrauliche.

Possibilità di avere il poggiatesta GM20 PP e coprischienale in Pvc trasparente GM20 CS

Ergonomic and very welcoming seat. Various combinations of bases and types of hydraulic pumps are available.

Optionals: footrest GM20 PP and back cover in transparent Pvc GM20 CS





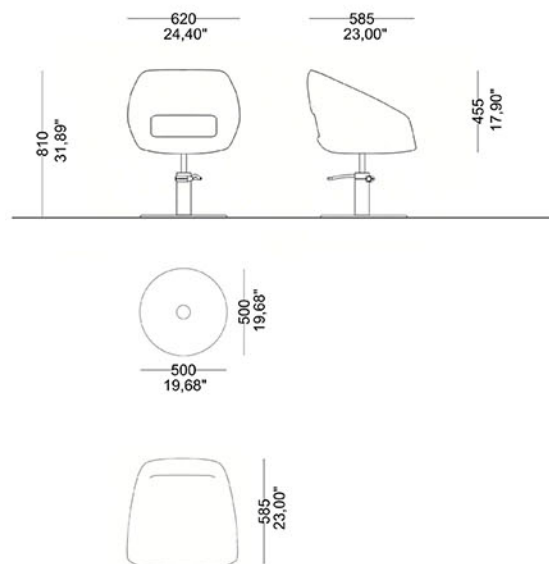
## MAGGY GM21

Seduta ergonomica e molto accogliente. Sono disponibili varie combinazioni di basi e tipologia di pompe idrauliche.

Possibilità di avere il poggiapiedi GM21 PP e coprischienale in Pvc trasparente GM21 CS

Ergonomic and very welcoming seat. Various combinations of bases and types of hydraulic pumps are variable.

Optionals: footrest GM21 PP and back cover in transparent Pvc GM21 CS





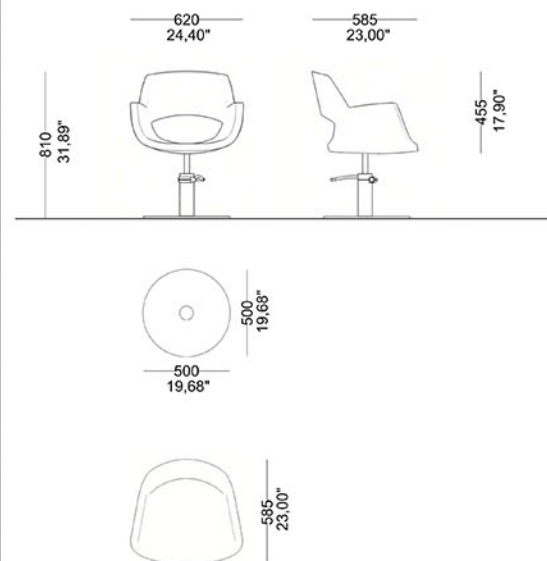
## AFRODITE GM22

Sedia pratica e maneggevole. La sua forma sagomata conferisce uno stile e un look pulito e semplice. Sono disponibili varie combinazioni di basi e tipologia di pompe idrauliche.

Possibilità di avere il poggiatesta GM22 PP e coprischienale in Pvc trasparente GM22 CS

Comfortable seat and contoured back give this simple styling chair a clean look. There are available different types of base and hydraulic pumps.

Optionals: footrest GM22 PP and back cover in transparent Pvc GM22 CS





# Wash Units

GIGLI & MASSIMO  
ITALY

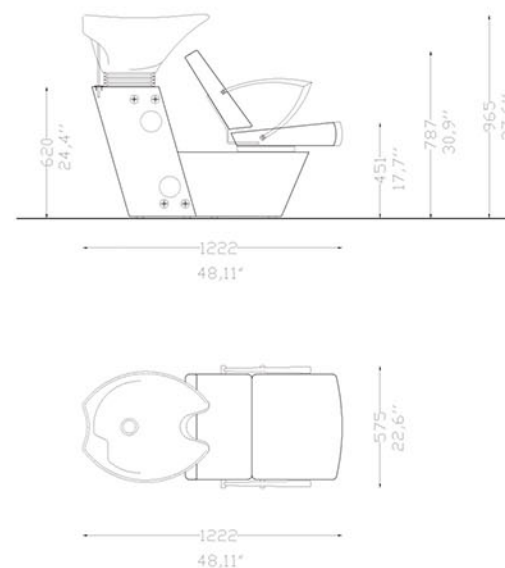




## SHORE GM 31

Mobile lavaggio con struttura in metallo laccato bianco e nero, poltrona rivestita in skay, completo di lavandino colore bianco con il gruppo miscelatore.  
Possibilità di avere il lavabo con foro per il vacuum breaker e il miscelatore a norma USA.

Shampoo unit made in iron painted in black and white colors, chair covered in fire protection vinyl, complete of the white washbasin with mixer.  
Possibility to have the washbasin with vacuum breaker hole and the mixer with USA certification.





## CORAL GM 32

Mobile lavaggio con struttura in legno rivestita in skay, completo di lavandino con il gruppo miscelatore.

Possibilità di avere il lavabo con foro per il vacuum breaker e il miscelatore a norma USA.

Versioni disponibili:

GM 32 B modello base

GM 32 S con alzagambe elettrico

GM 32 F con alzagambe elettrico e massaggio shiatzu sulla schiena.

Shampoo unit with wood structure covered in skay, complete of the white washbasin with mixer.

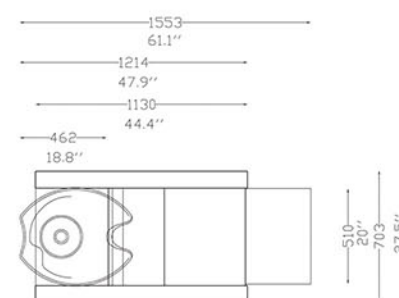
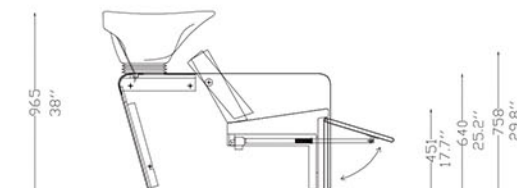
Possibility to have the washbasin with vacuum breaker hole and the mixer with USA certification.

Models available:

GM 32 B base model

GM 32 S with electric footrest

GM 32 F with electric footrest and shiatsu massage on the backrest.

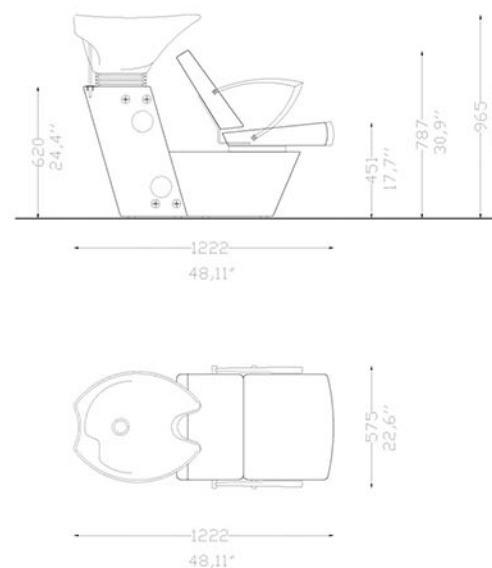


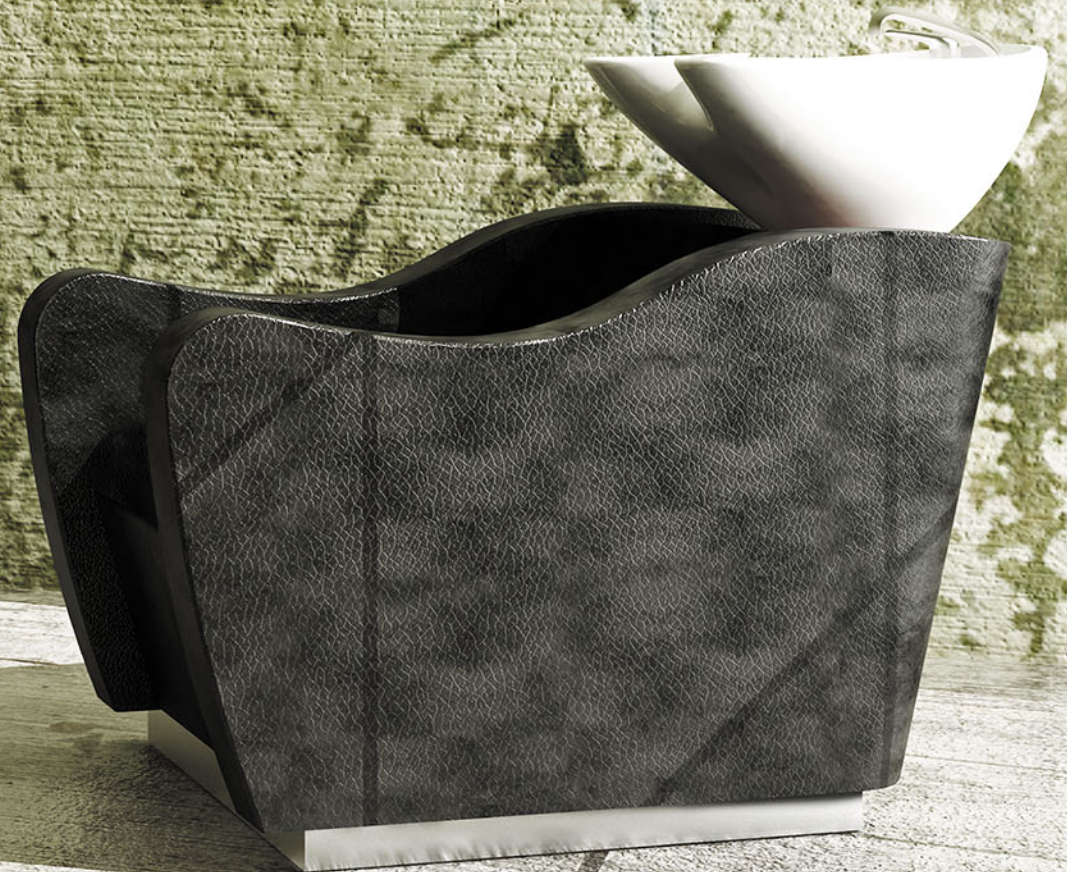


## DELTA GM 33

Mobile lavaggio con struttura in metallo lucido, poltrona rivestita in skay, completo di lavandino colore bianco con il gruppo miscelatore.  
Possibilità di avere il lavabo con foro per il vacuum breaker e il miscelatore a norma USA.

Shampoo unit with shiny metal structure, chair covered in skay, complete of the white washbasin with mixer.  
Possibility to have the washbasin with vacuum breaker hole and the mixer with USA certification.







## WAVE GM 34

Mobile lavaggio con struttura in legno rivestita in skay, completo di lavandino colore bianco con il gruppo miscelatore.

Possibilità di avere il lavabo con foro per il vacuum breaker e il miscelatore a norma USA.

Versioni disponibili:

GM 34 B modello base

GM 34 S con alzagambe elettrico

GM 34 F con alzagambe elettrico e massaggio shiatzu sulla schiena.

Shampoo unit with wood structure covered in skay, complete of the white washbasin with mixer.

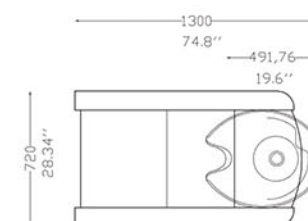
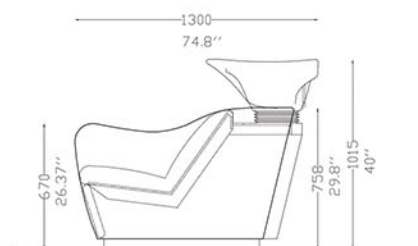
Possibility to have the washbasin with vacuum breaker hole and the mixer with USA certification.

Models available:

GM 34 B base model

GM 34 S with electric footrest

GM 34 F with electric footrest and shiatsu massage on the backrest.





## REEF GM 36

Mobile lavaggio con struttura in legno laminato, completo di lavandino con il gruppo miscelatore. Panca rivestita in skay con schienale in capitonè.

Lavaggio disponibile a 2 o 3 posti. Art. GM 36 Alcor/2 e Art. GM 36 Alcor/3.

Possibilità di avere il lavabo con foro per il vacuum breaker e il miscelatore a norma USA.

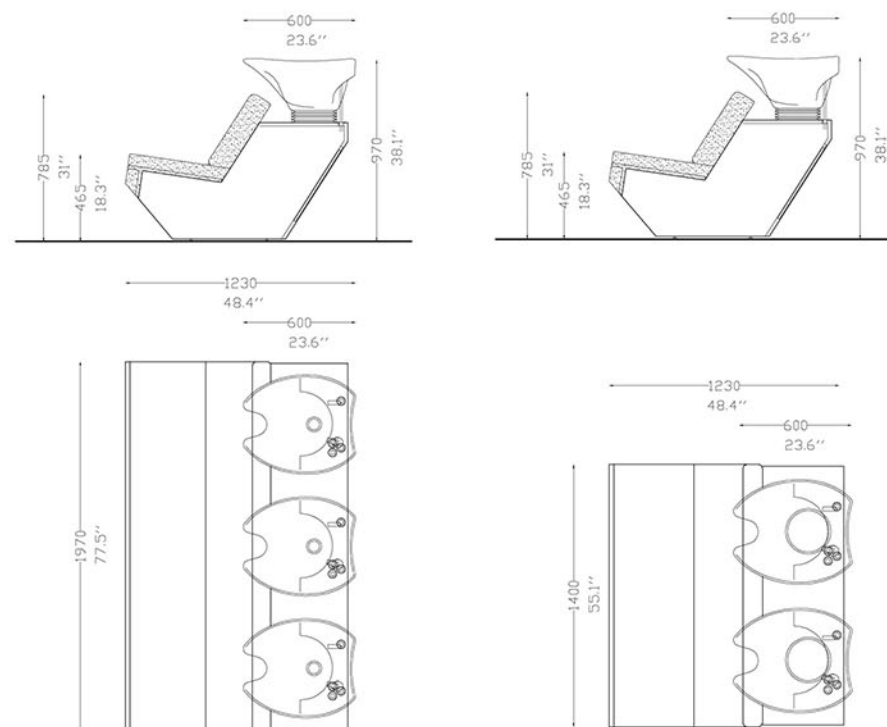
Possibilità di avere lo schienale liscio. Art Gm 36 Alcor/2S e Art. Alcor/3S.

Shampoo unit with laminated wood structure, complete of the white washbasin with mixer. Bench covered in skay, backrest finish in capitonè style.

Article available in two different sizes, for 2 or 3 people. Art. GM 36 Alcor/2 e Art. GM 36 Alcor/3.

Possibility to have the washbasin with vacuum breaker hole and the mixes with USA certification.

Possibility to have the simple backrest. Art Gm 36 Alcor/2S and Art. Alcor/3S.





## CASCADE GM37

Mobile lavaggio con struttura a movimento elettrico e poltrona rivestita in skay, completo di lavandino colore bianco con gruppo miscelatore.

La struttura è movimentata da due motori elettrici e partendo dalla posizione seduta può raggiungere la posizione letto, per il massimo confort per il cliente.

Versioni disponibili:

GM37L distensione a letto

GM37F distensione a letto con massaggio a vibrazione su tutto il corpo

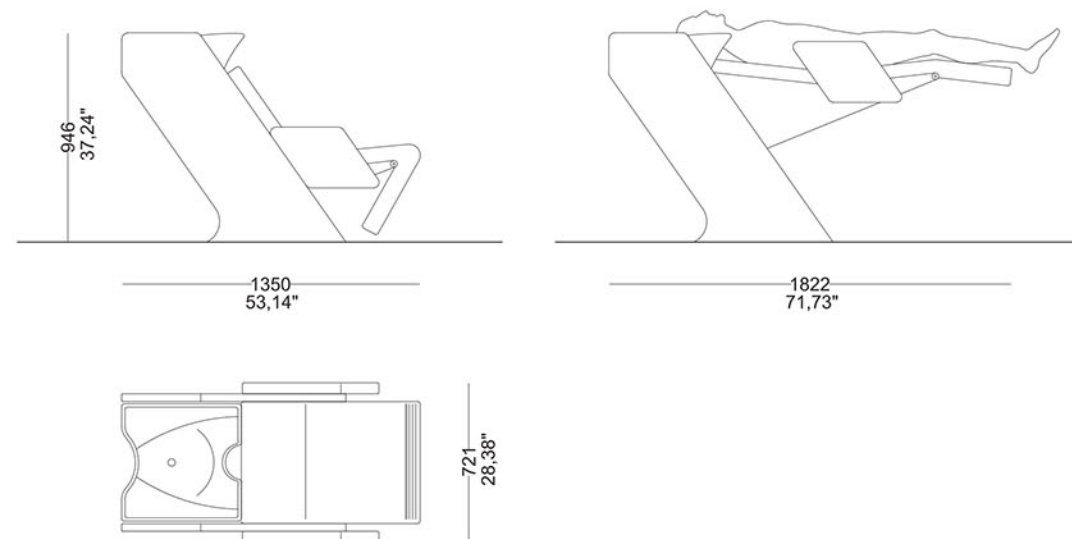
Shampoo unit with structure with electric movement and chair covered in skay, complete of the white washbasin with mixers.

The structure is moved by two electric motors and starting from seated position can arrive to the bed position, for the maximum comfort for the customer.

Model available:

GM37L bed position

GM37F bed position with vibration massage on all body





## CURRENT GM 38

Mobile lavaggio con struttura in metallo lucido, poltrona rivestita in sky, completo di lavandino colore bianco con il gruppo miscelatore.

Possibilità di avere il lavabo con foro per il vacuum breaker e il miscelatore a norma USA.

Versioni disponibili:

GM 38 B modello base

GM 38 S con alzagambe elettrico.

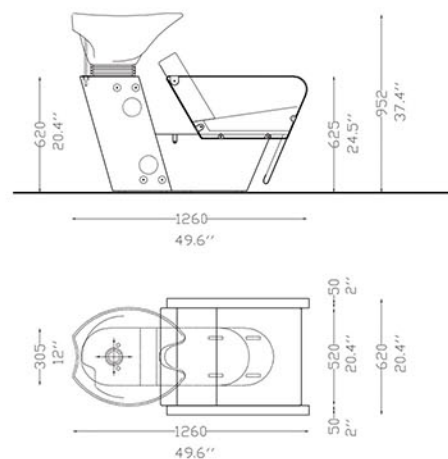
Shampoo unit with shiny metal structure, chair covered in sky, complete of the white washbasin with mixer.

Possibility to have the washbasin with vacuum breaker hole and the mixer with USA certification.

Models available:

GM 38 B base model

GM 38 S with electric footrest.







## CENTO GM39

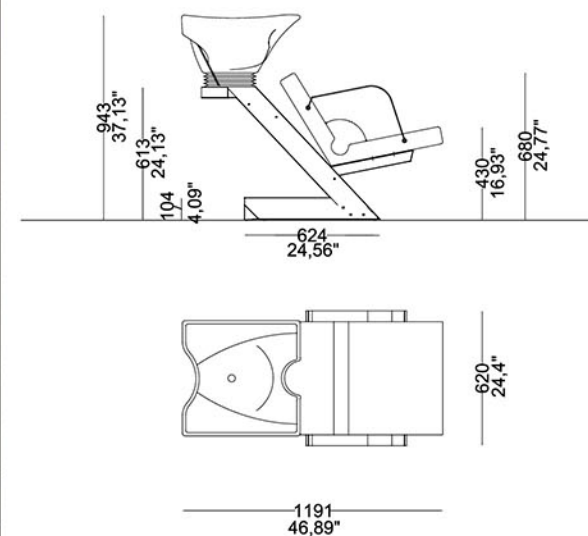
Mobile lavaggio con struttura in acciaio, poltrona rivestita in skay, completo di lavandino colore bianco (lavandino squadrato art. K o lavandino tondo Art. P) e gruppo miscelatore.  
Optional: distanziatore intermedio o laterale in acciaio GM39/DS

Possibilità di abbinare la poltrona GM 11-12-13-14-15-16

Possibilità di avere il lavabo con foro per il vacuum breaker e il miscelatore a norma USA.

The Cento wash unit has a sleek, compact base, dynamic and clean-lined seat, and the same great bowl you'll find on other Gigli&Massimo-Italy wash units. The powerful, chrome loop arms with exposed punctuated attachment points are a prime design feature of this unit and give it a refined industrial feel. Plumbing access is behind the seat.

Possibility to match the chair GM 11-12-13-14-15-16





## FIJI RELAX GM40

Mobile lavaggio chaise lounge con struttura rivestita in skay, completo di lavandino colore bianco con il gruppo miscelatore. Pouff di servizio su ruote. Accessori disponibili:

art. GM40F con massaggio ad aria linfodrenante su seduta e schienale della chaise lounge

art. GM40L Possibilità illuminazione a led rgb sottoscocca (L)

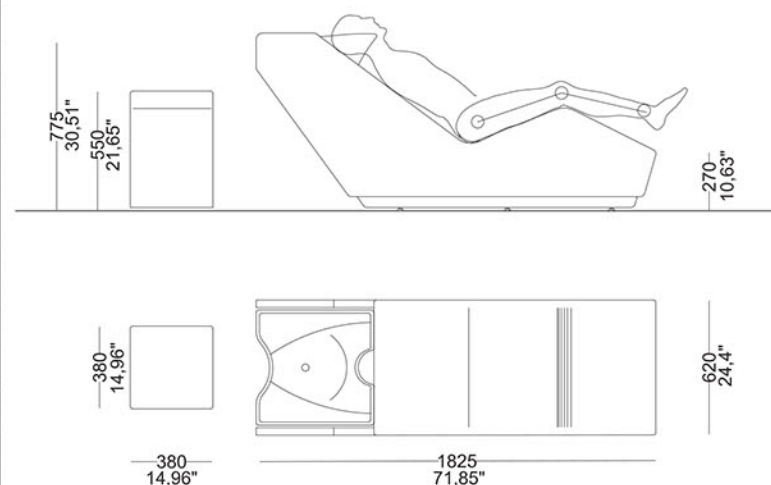
Possibilità di avere il lavabo con foro per il vacuum breaker e il miscelatore a norma USA.

Wash cabinet chaise lounge with structure covered in skay, complete with sink white color with the mixer unit. Service pouff on wheels.

Available accessories:

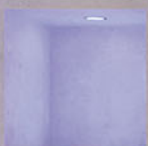
art. GM40F with lymphatic drainage air massage on all the chaise lounge

art. GM40L Possibility lighting LED rgb underbody (L)





6RO	6WM	5RW	5R	5RR	5RV	4CM	4VR	4R	4RR	4RV	3VR
Dark Red	Dark Mahogany Brown	Light Red	Light Red Brown	Red Red	Violet Brown	Cool Mahogany Brown	Wiolet Red	Red Brown	Red Red	Violet Brown	Wiolet Red



# Salon Mirrors

GIGLI & MASSIMO  
ITALY

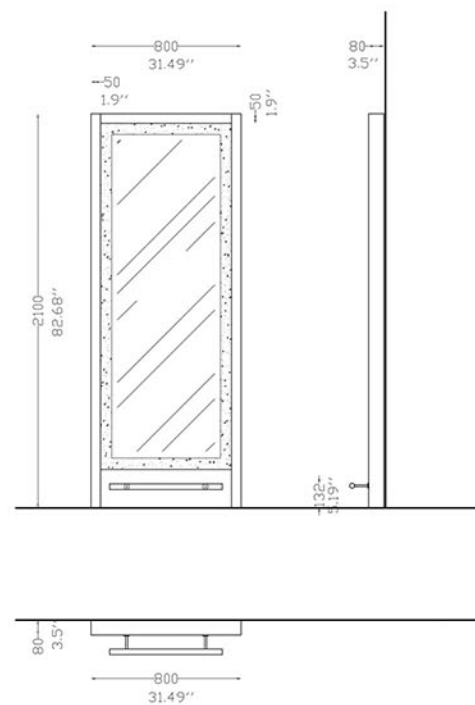




## RADIANT GM71

Postazione lavoro con struttura in alluminio, completa di illuminazione a Led.  
Possibilità di avere il poggiatesta art. GM71 FR.

Workstation with aluminium structure, complete of Led lighting.  
Optional: footrest GM71 FR.



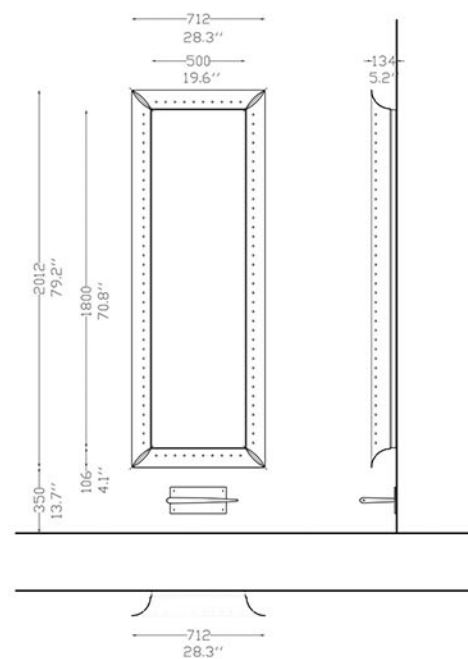




## ATTITUDE GM72

Postazione lavoro con struttura in metallo lucido art. GM 72B o laccato bianco GM 72P.  
 Accessori disponibili: poggiatesta a parete art.XO e illuminazione perimetrale a Led art. GM 72L.

Workstation with structure made in metal polished art. GM 72B or painted art. GM 72P.  
 Optionals available: footrest at the wall art. XO and perimetric lighting Led art. GM 72L.

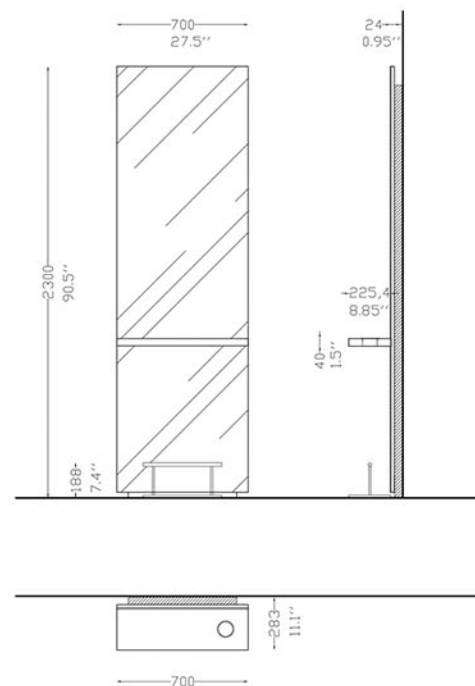




## FACADE GM73

Postazione lavoro con struttura e piano in legno, completo di foro porta phon.  
 Accessori: poggiaiedi a pavimento art. YO, illuminazione perimetrale a Led art. GM 73L.

Workstation with structure and shelf made in wood, complete of the hole for the hair dryer.  
 Optionals available: footrest at the floor art. YO, perimetric lighting Led art. GM 73L.





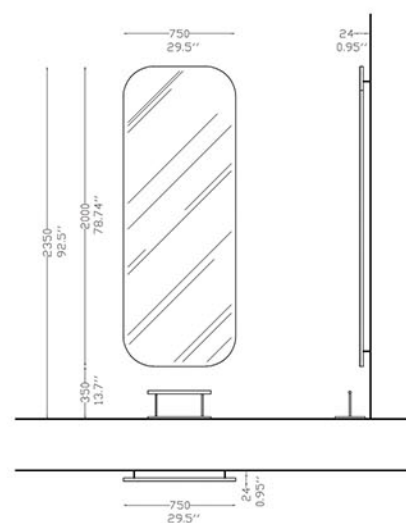
## MIRAGE GM74

Postazione lavoro con struttura in legno, specchio sagomato, a un posto, due posti art. GM 74/2 e a tre posti art. GM74/3. Le postazioni a specchio intero sono complete della cassettera.

Accessori: poggipiedi a terra art. YO, illuminazione perimetrale a Led art. GM 74L.

Workstation with structure made in wood, shaped mirror, with one place, two places art. GM 74/2 and three places art. GM 74/3. The workplaces with the big mirror are completed with the drawer.

Optionals available: footrest at the floor art. YO, perimetric lighting Led art. GM 74L.





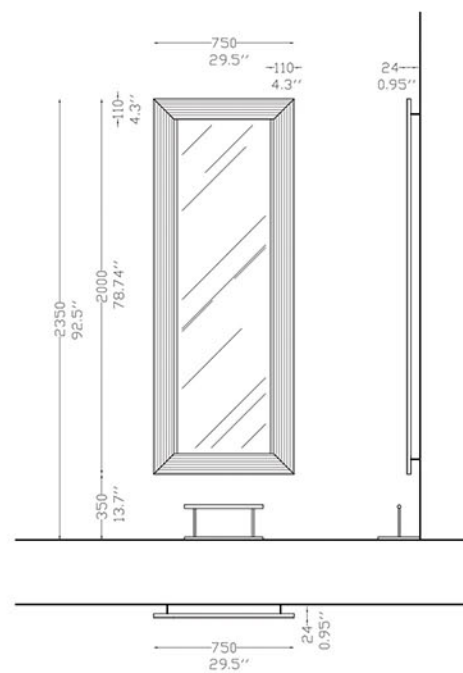
## IMAGE GM75

Postazione lavoro con struttura in legno, specchio con cornice in vetro lavorato, a un posto, due posti art. GM 75/2 e a tre posti art. GM75/3. Le postazioni a specchio intero sono complete della cassetteria.

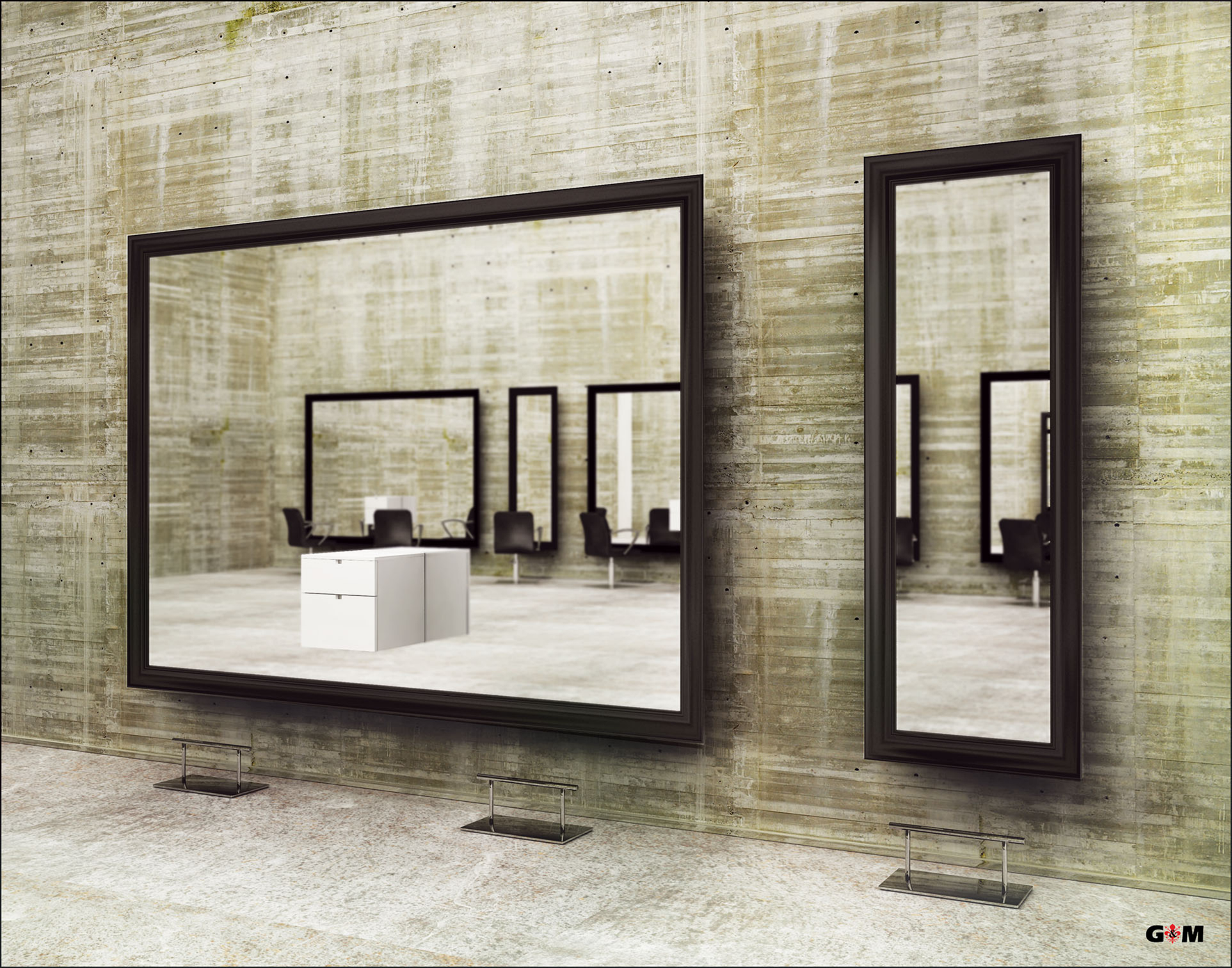
Accessori: poggiapiedi a terra art. YO, illuminazione frontale a Led art. GM 75L.

Workstation with structure made in wood, shaped mirror, with one place, two places art. GM 75/2 and three places art. GM 75/3. The workplaces with the big mirror are completed with the drawer.

Optionals available: footrest at the floor art. YO, perimeter lighting Led art. GM 75L.







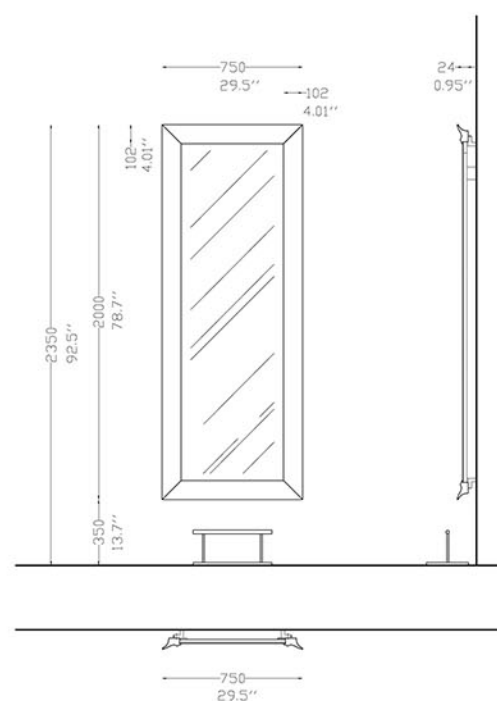
## DEBUT GM76

Postazione lavoro con struttura in legno, specchio con cornice in legno laccato colore bianco o nero, a un posto, due posti art. GM 76/2 e a tre posti art. GM76/3. Le postazioni a specchio intero sono complete della cassettera.

Accessori: poggiapiedi a terra art. YO, illuminazione perimetrale a Led art. GM 76L.

Workstation with structure made in wood, mirror with a wood frame lacquered in white or black color, with one place, two places art. GM 76/2 and three places art. GM 76/3. The workplaces with the big mirror are completed with the drawer.

Optionals available: footrest at the floor art. YO, perimetric lighting Led art. GM 76L.





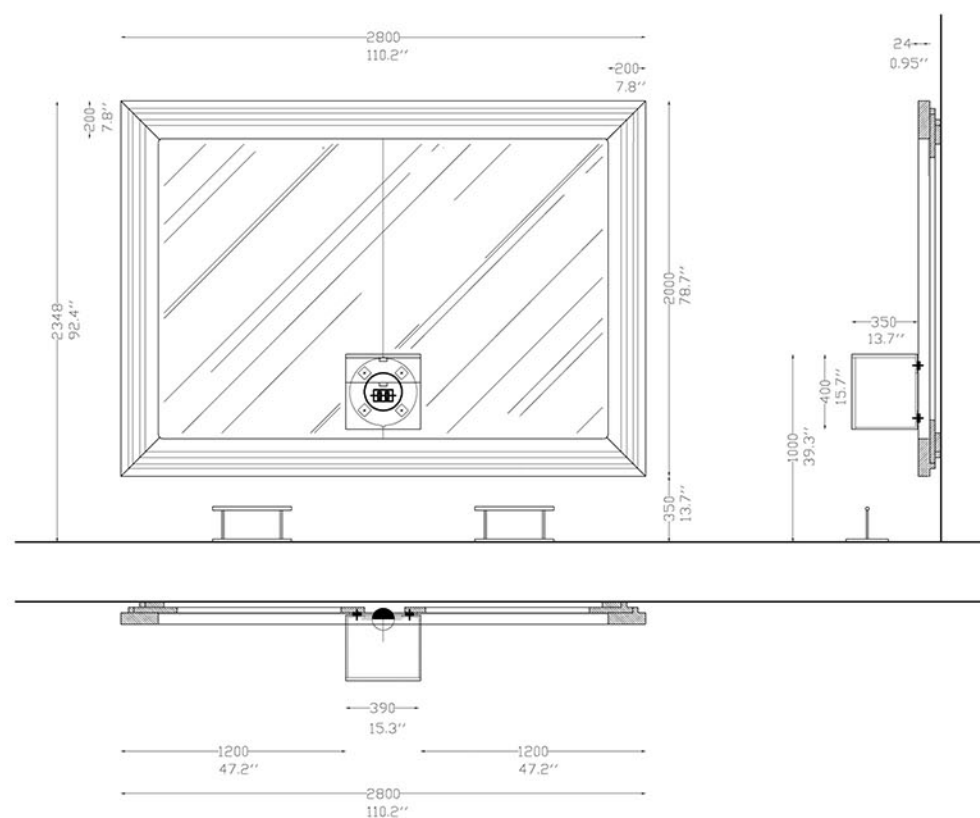
## EXHIBITION GM77

Postazione lavoro con struttura in legno, specchio con cornice in legno laccato argento o oro, a due posti art. GM 77/2 e a tre posti art. GM77/3. Le postazioni a specchio intero sono complete della cassettera.

Accessori: poggiatesta a terra art. YO, illuminazione perimetrale a Led art. GM 77L.

Workstation with structure made in wood, mirror with a wood frame lacquered in silver or gold color, two places art. GM 77/2 and three places art. GM 77/3. The workplaces with the big mirror are completed with the drawer.

Optionals available: footrest at the floor art. YO, perimetric lighting Led art. GM 77L.

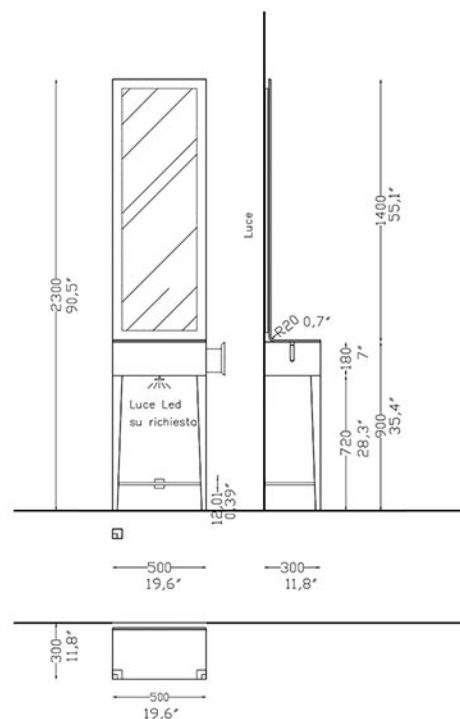




# ILLUSION GM78

Postazione lavoro con struttura in legno completa del cassetto laterale e del gancio portaborse. Specchio curvato completo di illuminazione perimetrale a Led.

Workstation with wood structure, complete of the side drawer and of bag hook. Curved mirror with perimetric Led lighting.



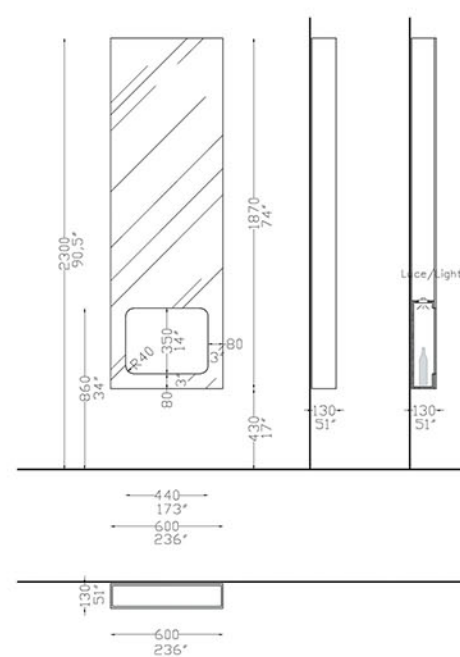


## SMILEY GM79

Postazione lavoro con struttura in specchio lavorato, con vano espositivo completo di illuminazione colorata a Led.  
Accessori: poggiaiedi art. XO.

Workstation with structure made in worked mirror, complete of the show box with Led colored lighting.

Optional: footrest art. XO.







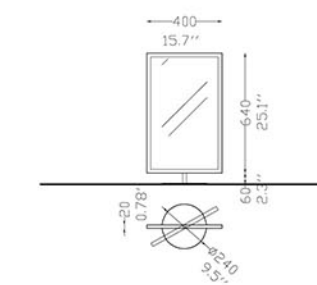
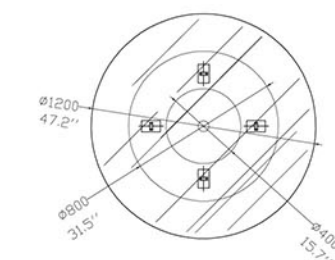
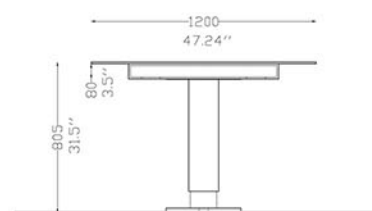




## GIOVE GM83

Tavolo lavoro con struttura in metallo laccato, piano in vetro trasparente o satinato.  
Accessori: poggiapiedi a terra art. YO.

Work table with structure made in metal lacquered, top in transparent or sandblasted glass.  
Optionals : footrest at the floor art. YO.

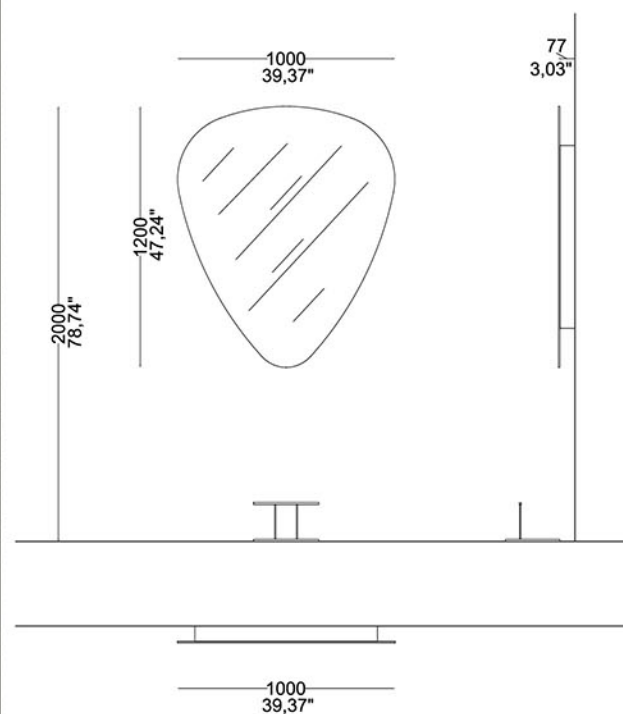




## PLETTRO GM84

Postazione lavoro con specchio a filo lucido, completo di poggiatesta autoportante.  
 Optional: retro illuminazione a led (L)

Work station with polished edge mirror with possibility of LED backlighting (L), complete with self-supporting footrest

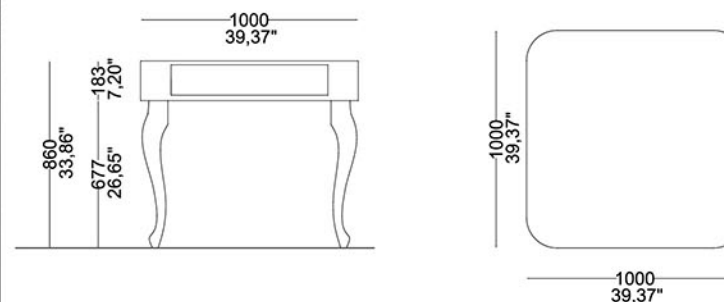




## RETRO GM88

Tavolo tecnico due o tre posti lavoro. Struttura in legno laminato o laccato, gamba in legno laccato. Completo di 2 o 3 specchi in appoggio e poggiapiedi autoportante. Optional: Piano in vetro trasparente

Technical table two or three work places. Laminated or lacquered wood structure, lacquered wood leg. Complete with stand-in mirror and self-supporting footrest. Optional: Clear glass top

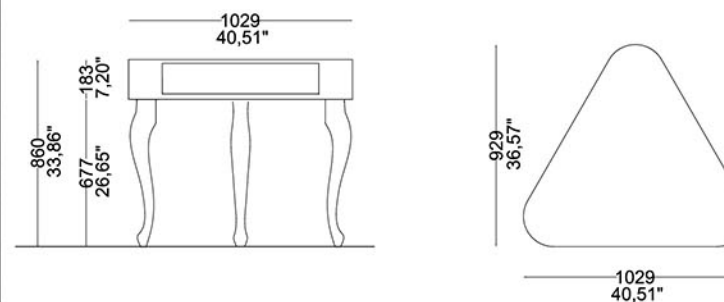


## LIBERTY GM89

Tavolo tecnico quattro posti lavoro. Struttura in legno laminato o laccato, gamba in legno laccato. Completo di 4 specchi in appoggio e poggiapiedi autoportante e predisposizione prese elettriche.

Optional: Piano in vetro trasparente

Technical table four work places. Laminated or lacquered wood structure, lacquered wood leg. Complete with stand-in mirror and self-supporting footrest and electric sockets. Optional: Clear glass top







## IRON WOOD MIRROR GM91

Postazione lavoro sospesa, struttura tubolare in ferro grezzo trattato con cera che ne rallenta il processo di ossidazione e ripiano rimovibile in nobilitato con finitura legno. Poggiapiedi in ferro grezzo escluso.

Accessori disponibili:

art. GM91-F Possibilità di rendere la postazione Double Face con pannello in Forex da 5 mm con stampa digitale personalizzata.

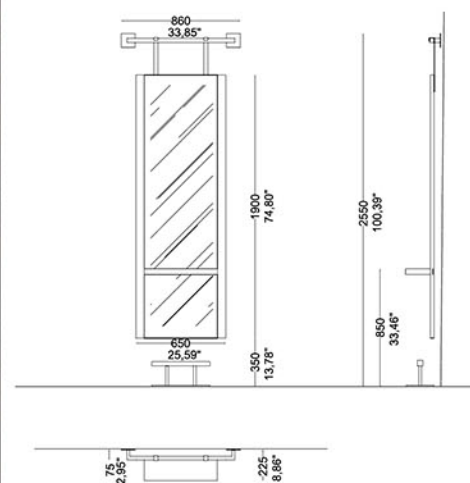
art. GM91-PP Poggiapiedi autoportante in ferro grezzo.

Suspended workstation with tubular structure in raw iron treated with wax to slow down the oxidation process and removable shelf in melamine with wood finish. Footrest in raw iron excluded.

Available accessories:

art. GM91-F Possibility to make the Double Face position with Forex panel from 5 mm with personalized digital print.

art. GM91-PP Self-supporting footrest in raw iron.





## IRON WOOD TABLE GM92

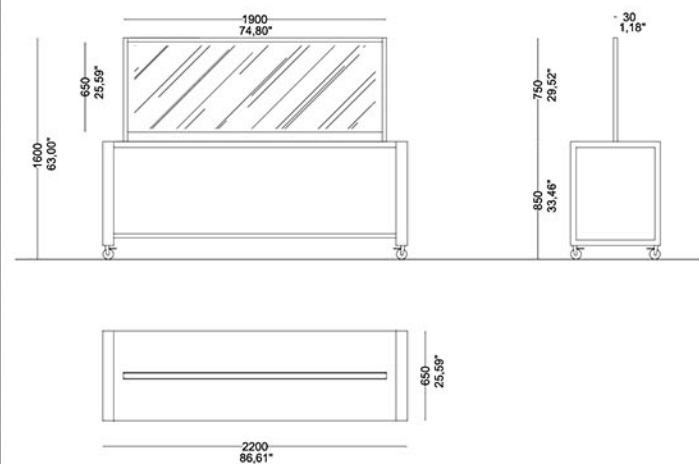
Postazione lavoro 4 posti su ruote, double face con struttura in ferro grezzo trattato con cera che ne rallenta il processo di ossidazione.

Accessori disponibili:

art. GM92-L Possibilità illuminazione a Led incassato nella parte inferiore dello specchio (L).

4-sided double-sided work station on wheels, with raw iron structure treated with wax to slow down the oxidation process.

art. GM92-L Possibility of Led lighting recessed in the lower part of the mirror (L).

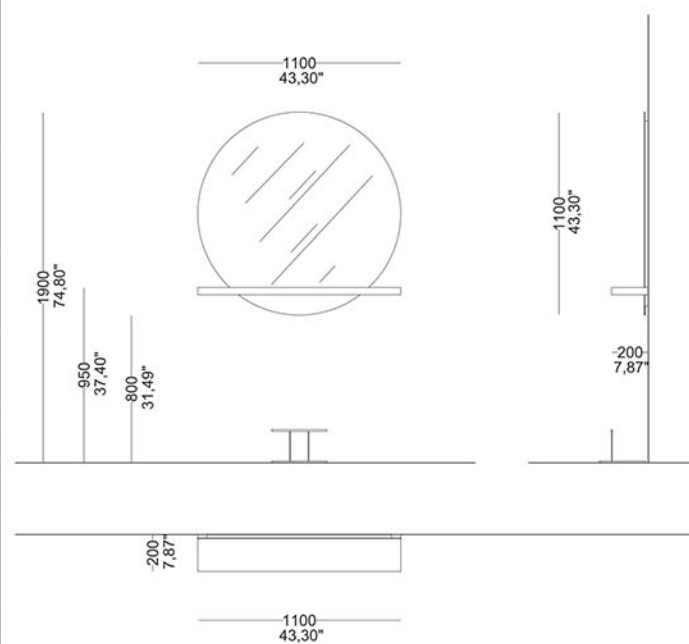




## FULL POINT GM93

Postazione lavoro con specchio a filo lucido rotondo con mensola laminato, completo di poggiatesta autoportante.  
 Optional: retro illuminazione a led (L)

Workstation with round polished edge mirror and laminate shelf, complete with self-supporting footrest  
 Optional: LED backlighting (L)

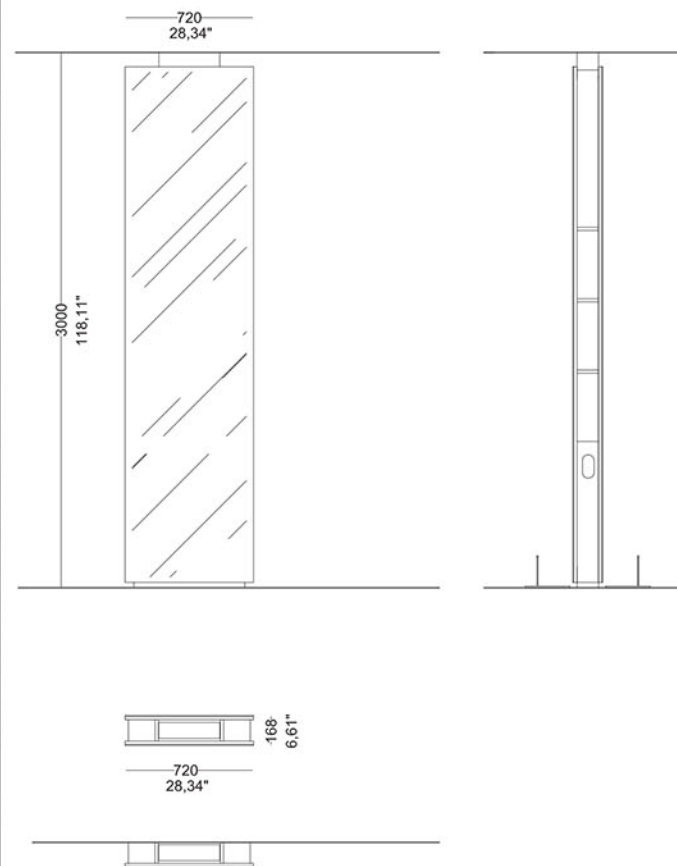




## SLENDER GM94/1 GM94/2

Postazione lavoro centrale con doppio specchio a filo lucido o singola a parete, struttura in nobilitato compresa di ripiani laterali su entrambi i lati e porta asciugacapelli, completo di poggiatesta autoportante.

Central workstation with double mirror, or single on the wall, structure in melamine including side shelves on both sides and hairdryer holder, complete with self-supporting footrest.







# FULL MOON GM95

Postazione lavoro con specchio sagomato; sistema componibile a uno GM95/1, due GM95/2, tre GM95/3, quattro posti GM95/4. Le postazioni sono complete di cassetteria ed eventuali ripiani (optional). Tutte le specchiere hanno il poggiatesta.

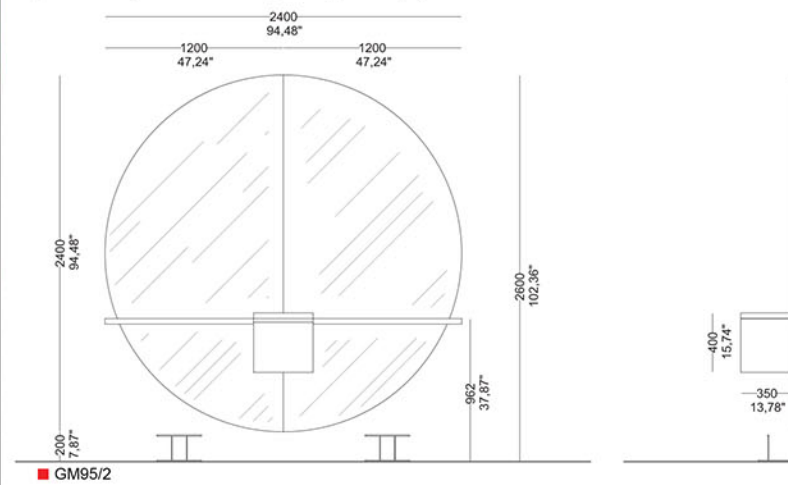
Optional: illuminazione perimetrale a Led (L)

Workstation with shaped mirror; modular system with one, two, three, four place.

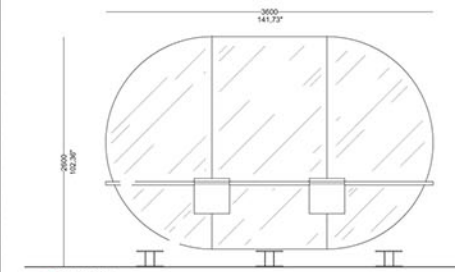
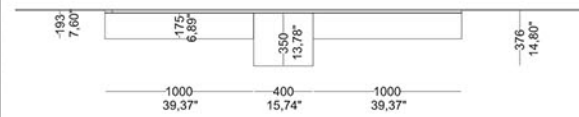
The workstations are complete with drawers and possible shelf (optional).

All mirrors have the footrest.

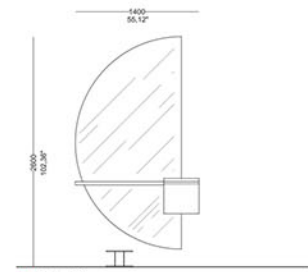
Optional: perimetric lighting Led (L)



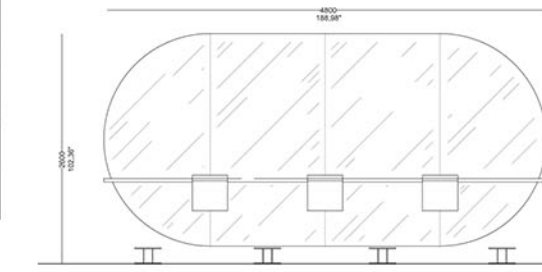
■ GM95/2



■ GM95/3



■ GM95/1



■ GM95/4

# Cash Desk

GIGLI & MASSIMO  
ITALY

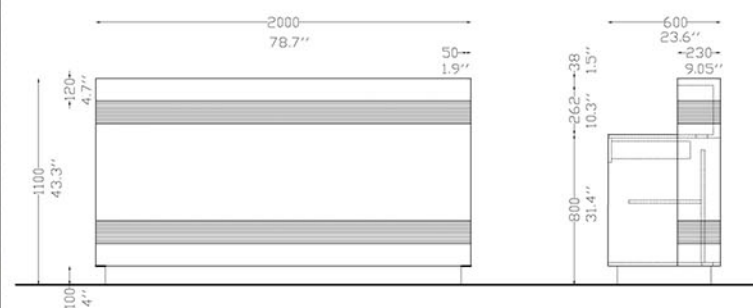




## CAPRI GM 100

Mobile cassa con mobile frontale laccato, disponibili vari colori, e fasce in vetro lavorato.  
 Retro cassa in nobilitato attrezzato con cassetto e vani a giorno.  
 Due misure disponibili: GM100/160 e GM100/200  
 Accessori: balsa illuminata a LED GM100L

Cash Desk with the front lacquered, many colors available, and with two bands worked glass.  
 Rear made in ennobled with one drawer and open spaces.  
 Two measures available: GM100/160 and GM100/200  
 Optionals: Led lighting under the cash desk GM100L





# GIGLIO GM 101

Mobile cassa con mobile frontale in laminato, disponibile in vari colori. Retro cassa in nobilitato attrezzato con cassetto e vani a giorno.

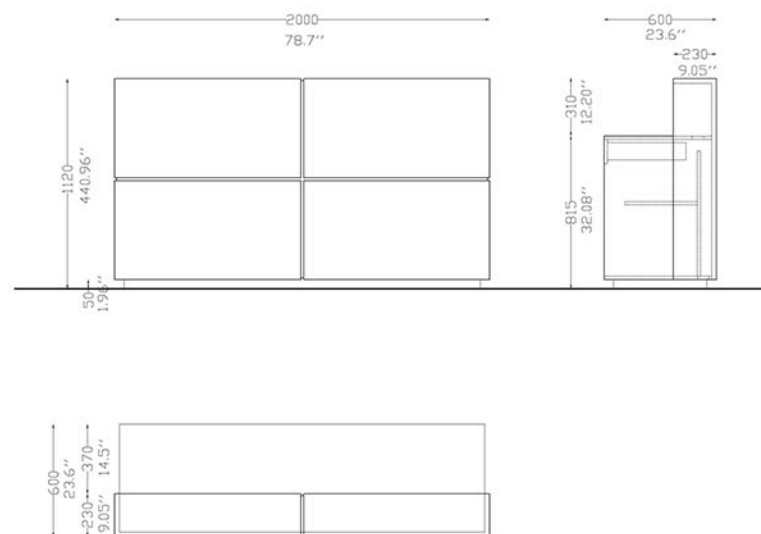
Due misure disponibili: GM101/160 e GM101/200

Accessori: balsa illuminata a LED GM101L

Cash Desk with the front made in laminate, many colors available. Rear made in ennobled with one drawer and open spaces.

Two measures available: GM101/160 and GM101/200

Optionals: Led lighting under the cash desk GM101L







## MURANO GM 102

Mobile cassa con mobile frontale a riquadri, disponibili vari colori. Retro cassa in nobilitato attrezzato con cassetto e vani a giorno.

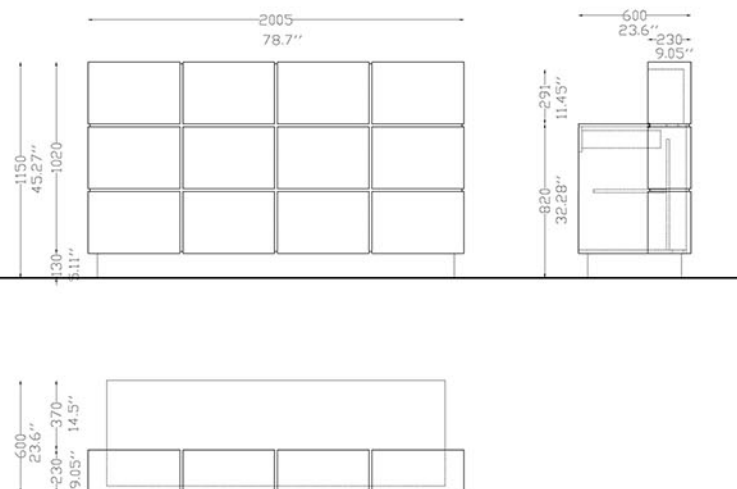
Due misure disponibili: GM102/160 e GM102/200

Accessori: balsa illuminata a LED GM102L

Cash Desk with the front with panes, many colors available. Rear made in ennobled with one drawer and open spaces.

Two measures available: GM102/160 and GM102/200

Optionals: Led lighting under the cash desk GM102L





## TORCELLO GM 103

Mobile cassa con mobile frontale laccato, disponibili vari colori. Retro cassa in nobilitato attrezzato con cassetto e vani a giorno.

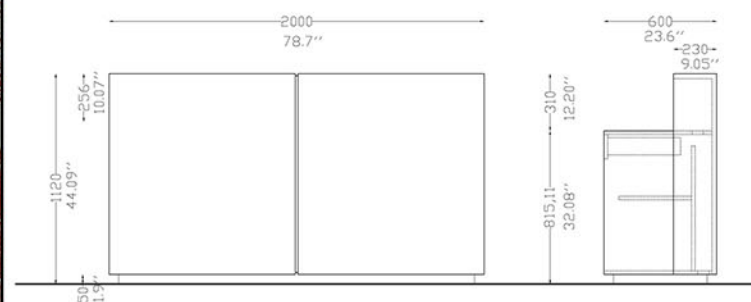
Due misure disponibili: GM103/160 e GM103/200

Accessori: balsa illuminata a LED GM103L

Cash Desk with the front lacquered, many colors available. Rear made in ennobled with one drawer and open spaces.

Two measures available: GM103/160 and GM103/200

Optionals: Led lighting under the cash desk GM103L





## MONTE CRISTO GM 104

Mobile cassa con mobile frontale laccato, disponibili vari colori. Retro cassa in nobilitato attrezzato con cassetto e vani a giorno.

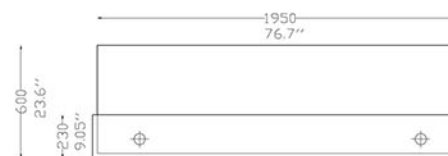
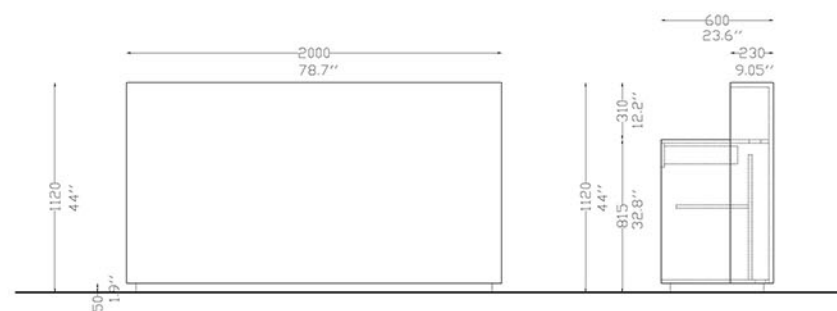
Tre misure disponibili: GM104/120, GM104/160 e GM104/200

Accessori: balsa illuminata a LED GM104L

Cash Desk with the front lacquered, many colors available. Rear made in ennobled with one drawer and open spaces.

Three measures available: GM104/120, GM100/160 and GM100/200

Optionals: Led lighting under the cash desk GM100L





# LINOSA GM 105

Mobile cassa con mobile frontale in laminato, disponibili vari colori. Retro cassa in nobilitato attrezzato con cassetto e vani a giorno.

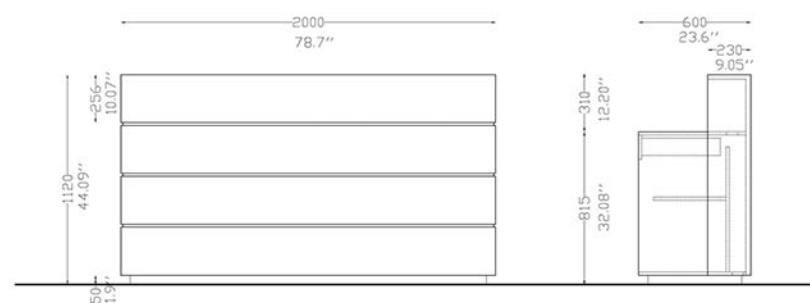
Due misure disponibili: GM105/160 e GM105/200

Accessori: balsa illuminata a LED GM105L

Cash Desk with the front in laminate, many colors available. Rear made in ennobled with one drawer and open spaces.

Two measures available: GM105/160 and GM105/200

Optionals: Led lighting under the cash desk GM105L







# GAVI GM 106

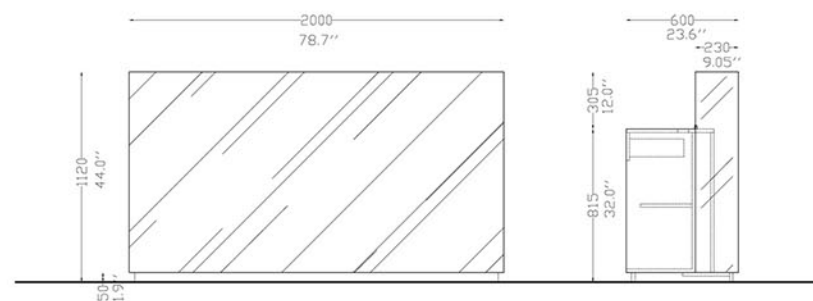
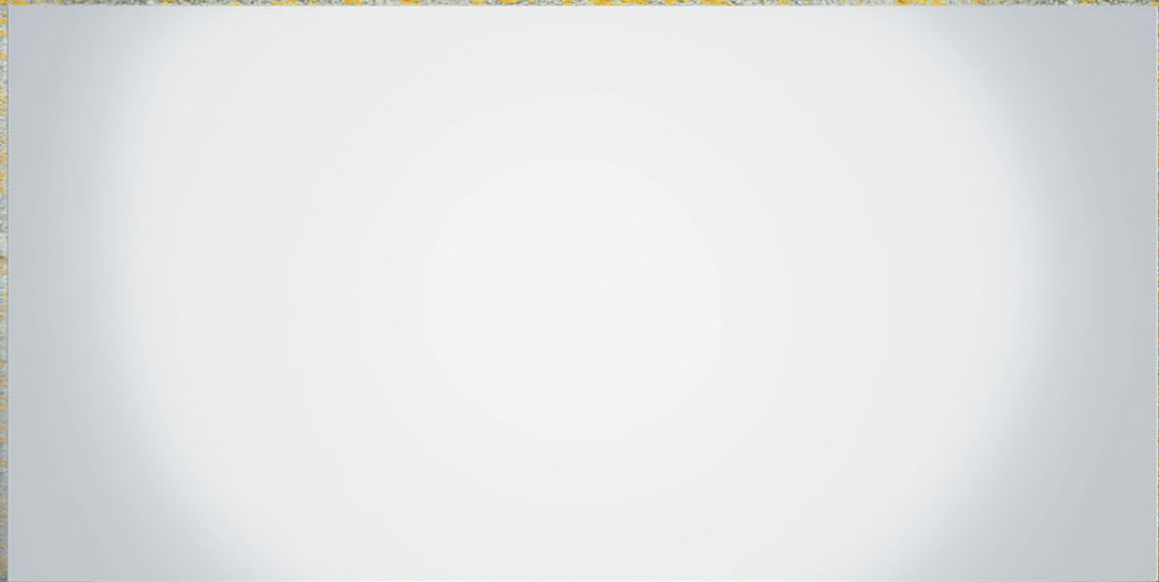
Mobile cassa con mobile frontale in plexiglass illuminato. Retro cassa in nobilitato attrezzato con cassetto e vani a giorno.

Due misure disponibili: GM106/160 e GM106/200

Cash Desk with the front in plexiglass with lighting. Rear made in ennobled with one drawer and open spaces.

Two measures available: GM106/160 and GM160/200

Optionals: Led lighting under the cash desk GM100L





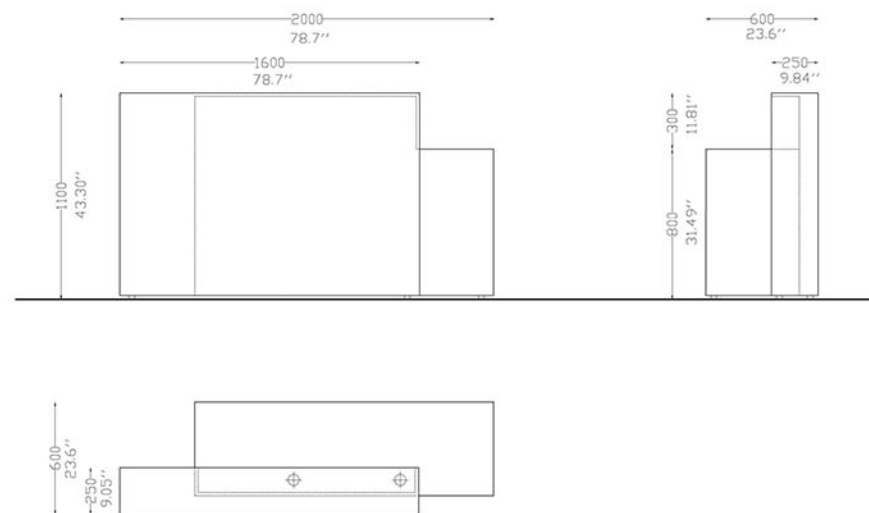
## TINO GM 107

Mobile cassa con mobile frontale in laminato, disponibili vari colori. Retro cassa in nobilitato attrezzato con cassetto e vani a giorno.

Tre misure disponibili: GM107/120, GM107/160 e GM107/200

Cash Desk with the front in laminated, many colors available. Rear made in ennobled with one drawer and open spaces.

Three measures available: GM107/120, GM107/160 and GM107/200

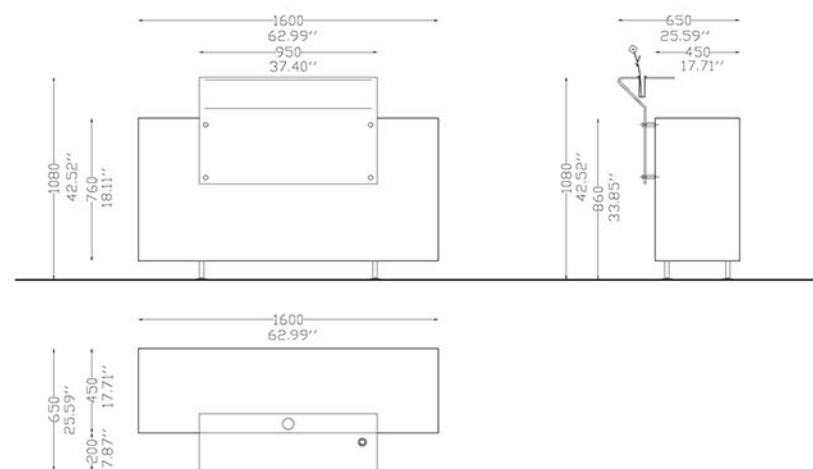




## LIDO GM 108

Mobile cassa con mobile frontale in laminato e con pannello in plexiglass, disponibili in vari colori. Retro cassa in nobilitato attrezzato con cassetto e vani a giorno.  
Tre misure disponibili: GM108/100, GM108/130 e GM108/160

Cash Desk with the front in laminate with a plexiglass panel, many colors available. Rear made in ennobled with one drawer and open spaces.  
Two measures available: GM108/100, GM108/130 and 108/160

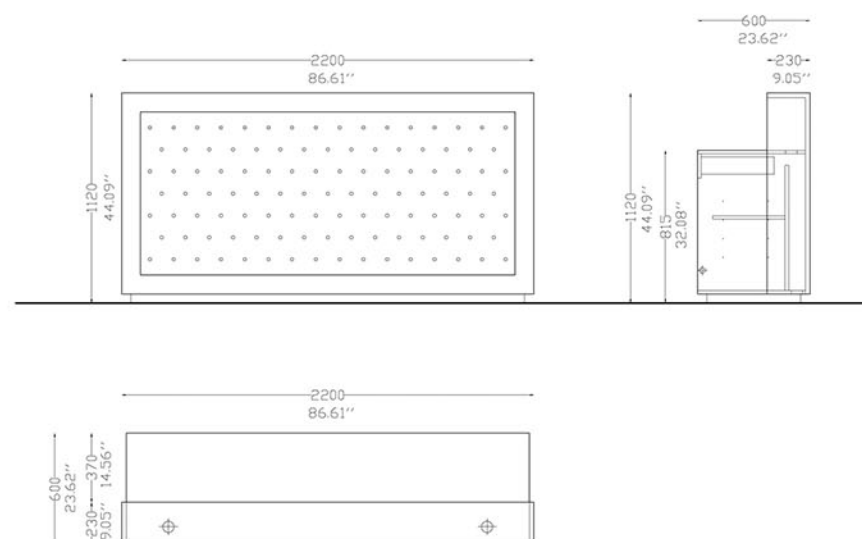




## VENICE GM 109

Mobile cassa con mobile frontale rivestito in fintapelle, disponibili vari colori, con lavorazione in capitonè. Retro cassa in nobilitato attrezzato con cassetto e vani a giorno. Tre misure disponibili: GM109/140, GM109/180 e GM109/220. Accessori: balsa illuminata a LED GM109L

Cash Desk with the front covered in vinyl, many colors available, worked with a special processing called "capitoné". Rear made in ennobled with one drawer and open spaces. Two measures available: GM109/140, GM109/180 and GM109/220. Optionals: Led lighting under the cash desk GM109L







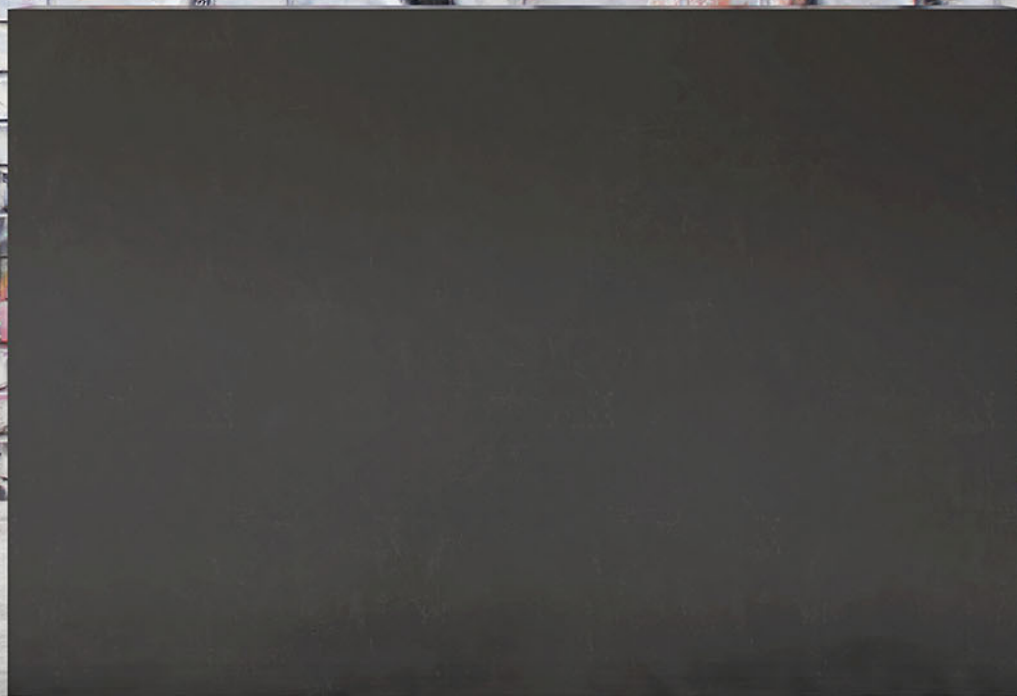
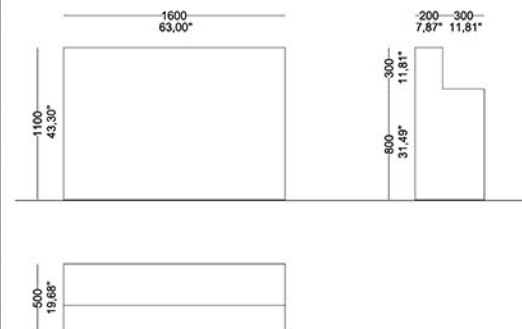
## IRON WOOD DESK GM110

Mobile cassa con struttura in ferro grezzo trattato con cera che ne rallenta il processo di ossidazione. Retro cassa attrezzato con cassetto e vani a giorno in nobilitato con finitura legno.

Tre misure disponibili: GM110/120 GM110/160 GM110/200

Cash Desk with raw iron structure treated with wax to slow down the oxidation process. Rear equipped with drawer and open compartments in melamine with wood finish.

Three sizes available: GM110/120 GM110/160 GM110/200



# Service Furniture

GIGLI & MASSIMO  
ITALY





## MINIMAL GM130 - HALL GM133

Mobile di servizio retro lavaggio con una, due, tre o quattro ante ed una bocca di lupo. Struttura in nobilitato laminato, ante e top laminato o laccato.

Quattro misure disponibili:

MINIMAL - GM130/80/120/160/200 HALL - GM133/80/120/160/200

Optional: GLDX - GLSX gruppo lavandino con miscelatore

Retro wash service cabinet with one, two, three or four doors and a wolf's mouth. Structure in laminated melamine, doors and top laminate or lacquered.

Four sizes available:

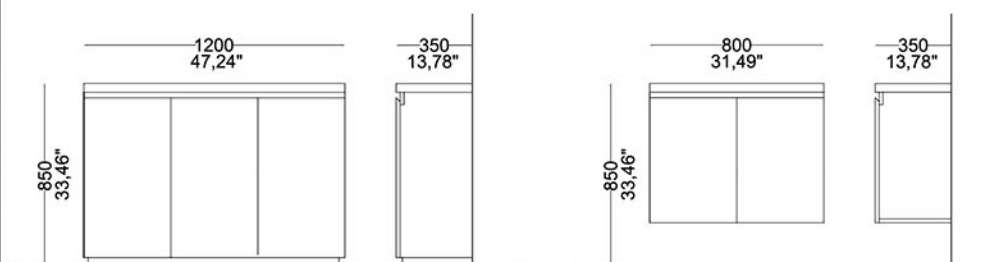
MINIMAL - GM130/80/120/160/200 HALL - GM133/80/120/160/200

Optional: GLDX - GLSX sink unit with mixer



■ MINIMAL - GM130/120

■ HALL - GM133/80



■ ROUND - GM131/120

■ ZEN - GM134/80

## ROUND GM131 - ZEN GM134

Mobile di servizio retro lavaggio con una, due, tre o quattro ante ed una bocca di lupo. Struttura in nobilitato laminato, ante e top laminato o laccato. Ante a sfilare con angoli stondati. Specificare il lato della bocca di lupo.

Quattro misure disponibili:

ROUND - GM131/80/120/160/200 ZEN - GM134/80/120/160/200

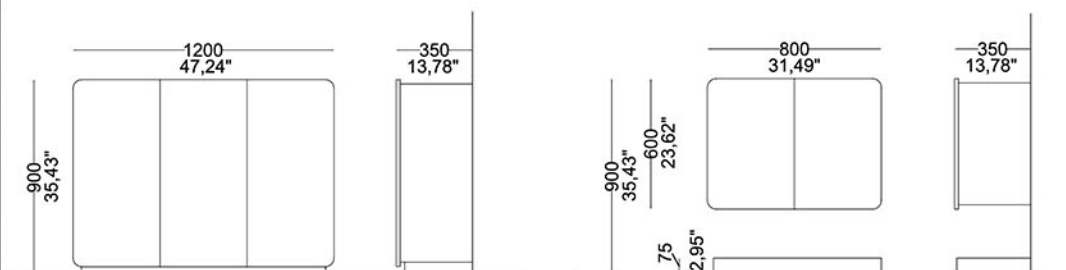
Optional: GLDX - GLSX gruppo lavandino con miscelatore

Retro wash service cabinet with one, two, three or four doors and a wolf's mouth. Structure in laminated melamine, doors and top laminate or lacquered.

Four sizes available:

ROUND - GM131/80/120/160/200 ZEN - GM134/80/120/160/200

Optional: GLDX - GLSX sink unit with mixer





## WALL GM135 - WALL DUPLEX GM136

Mobile di servizio (GM135) a due o tre ante a parete (versione doppio lato GM136). Mobile da 80 cm con una bocca di lupo e una anta, o da 120 cm con una bocca di lupo e due ante. Struttura in nobilitato laminato, ante e top laminato o laccato. Balza in laminato nella parte bassa. Ante con fuga per apertura.

Due misure disponibili: MONO - GM135/80/120                      DUPLEX - GM136/80/120

Optional: GLDX - GLSX gruppo lavandino con miscelatore



Service cabinet (GM135) also in version double side (GM136) in the 80 cm version with a wolf spout and a door, in the 120 cm version with a wolf spout and two doors. Structure in laminated melamine, doors and top laminate or lacquered. Laminated laminate in the lower part. Doors with flared for opening.

Two sizes available: MONO - GM135/80/120                      DUPLEX - GM136/80/120

Optional: GLDX - GLSX sink unit with mixer

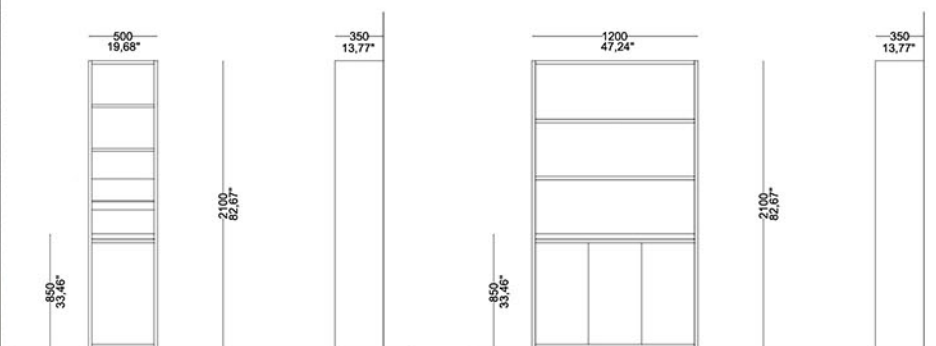
## TOWER GM137

Mobile di servizio a colonna con parte bassa a bocca di lupo con cestello metallico, parte superiore a giorno con piani regolabili e piano fisso inclinato. Struttura interno ed esterno nobilitato laminato, ante laminate o laccate.

Optional: Anta parte superiore -A-

Column service cabinet with a low base part, with an open top with two adjustable shelves and a fixed inclined top. Laminated laminated interior and exterior, laminated or lacquered doors.

Optional: Upper door -A-



GM137

GM135/120



## IRON WOOD EXPÒ GM172

Modulo espositivo con struttura tubolare in ferro grezzo trattato con cera che ne rallenta il processo di ossidazione, con 5 ripiani in nobilitato con finitura legno.

Accessori disponibili:

art. GM172-L Possibilità illuminazione a Led sotto ai ripiani (L)

Exhibition module with tubular structure in raw iron treated with wax to slow down the oxidation process, with 5 shelves in melamine with wood finish.

Optional:

art. GM172-L Possibility of LED lighting under the shelves (L)



■ GM172

## IRON WOOD TROLLEY STORAGE GM173

Modulo espositivo con struttura tubolare in ferro grezzo trattato con cera che ne rallenta il processo di ossidazione, con 3 ripiani in nobilitato con finitura legno e pannelli di chiusura per deposito carrelli. Carrelli esclusi.

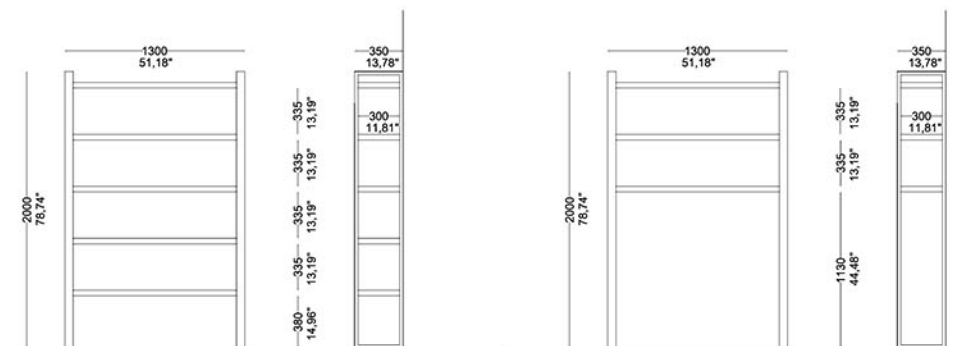
Accessori disponibili:

art. GM173-L Possibilità illuminazione a Led sotto ai ripiani (L)

Exhibition module with raw iron tubular structure treated with wax to slow down the oxidation process, with 3 shelves in melamine with wood finish and closing panels for trolley storage. Trolley storage excluded.

Available accessories:

art. GM173-L Possibility of LED lighting under the shelves (L)







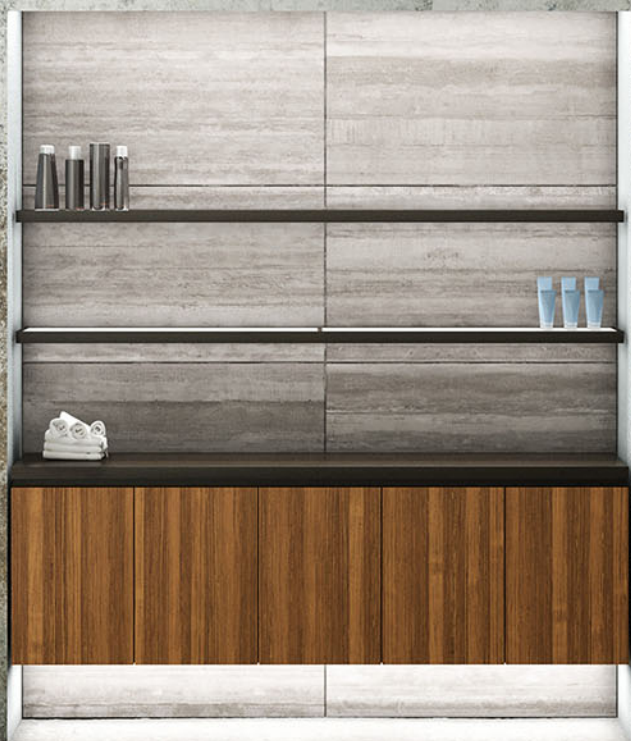
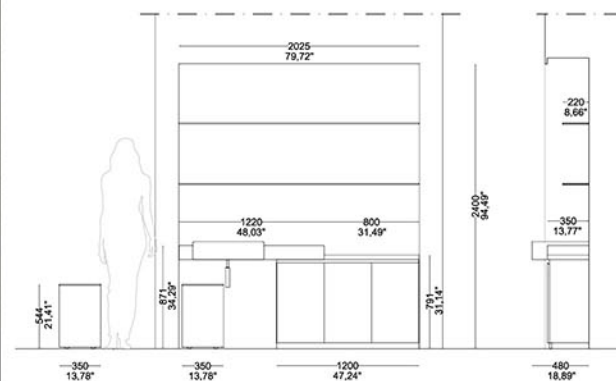
## VINTAGE GM138

Mobile di servizio composto da parte bassa con tre ante laccato o laminato, top a riporto sospeso, completo di porta biancheria su ruote.

Possibilità di inserire lavandino in ceramica da semi incasso (Optional GM138CL)

Service unit composed of a lower part with three lacquered or laminated doors, a suspended top, complete with a linen rack on wheels.

Possibility of inserting a semi-recessed ceramic sink (Optional GM138CL)



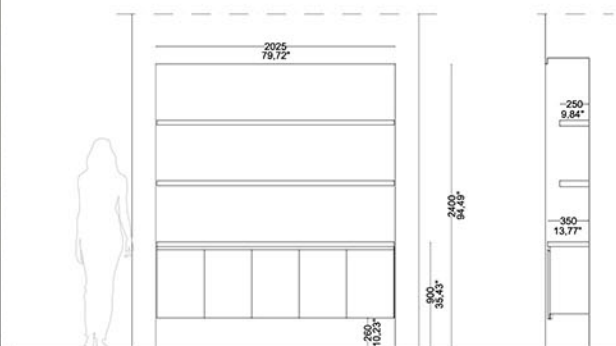
## LUXOR GM139

Mobile di servizio composto da parte bassa sospesa con ante laccato o laminato e bocca di lupo, top a riporto laminato o laccato, completo di due mensole e sotto scocca illuminate con led rgb .

Possibilità di inserire lavandino in acciaio da incasso (Optional GM138GL)

Service unit composed of a low hanging part with lacquered or laminated doors and a wolf's mouth, a laminated or lacquered top, complete with two shelves and an illuminated rgb frame.

Possibility of inserting a built-in iron sink (Optional GM138GL)







■ GM160

■ GM161

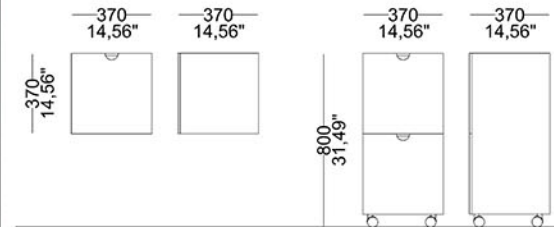
## IRON BOX GM160 - GM161

Mobiletto intermedio posti di lavoro in versione sospeso ad un cassettone (GM160) o da terra con due cassettoni (GM161), completo di ruote o con sistema di fissaggio a muro sospeso, rivestito in lamiera d'acciaio.

IRON BOX ONE - GM160

IRON BOX TWO - GM161

Workplace intermediate cabinet in a version suspended from a chest of drawers or from the floor with two drawers, covered in steel. Complete with wheels and wall-mounted fixing system.



■ GM162A

■ GM162B

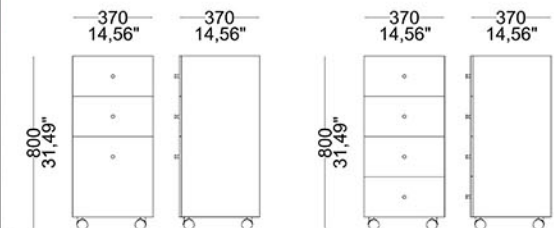
## IRON BOX GM162A - GM162B

Mobiletto intermedio posti di lavoro con due cassetti e un cassettone o quattro cassetti, rivestito in lamiera d'acciaio acciaio. Completo di ruote.

IRON BOX THREE - GM162A

IRON BOX FOUR - GM162B

Workplace intermediate cabinet with three drawers, covered in steel. Complete with wheels and wall-mounted fixing system.







GM164

## ZEN BOX ONE / TWO GM164

Mobiletto intermedio sospeso posti di lavoro con un cassettone o anta (Zen Box One), o con un cassetto e un cassettone (Zen Box Two) realizzato in nobilitato laminato o laccato. Misure: Zen Box One 44x35x44h - Zen Box Two 44x35x52h

Intermediate cabinet suspended work places with a chest of drawers (Zen box One), or with a drawer and a chest of drawers (Zen Box Two) realized in laminated melamine or lacquered. Measures: Zen Box One 44x35x44h - Zen Box Two 44x35x52h



GM165

## RAISED BOX MONO / TWO / THREE GM165

Mobiletto intermedio sospeso tra i posti di lavoro con un'anta e un ripiano interno regolabile in altezza (Raised Box Mono), con due cassettoni (Raised Box Two) o con due cassetti bassi ed uno alto (Raised Box Three) realizzato in nobilitato laminato o laccato. Misure: Raised Box Mono / Two 44x35x70h - Raised Box Three 44x35x65h

Intermediate cabinet suspended work places with a door and an internal shelf adjustable in height (Raised Box Mono), with two drawers (Raised Box Two) or with two low drawers and one high (Raised Box Three) made of laminated melamine or lacquered. Measures: Raised Box Mono/Two 44x35x70h - Raised Box Three 44x35x65h



GM166

## FLOOR BOX MONO / TWO / THREE GM166

Mobiletto intermedio a terra tra i posti di lavoro con un'anta e due ripiano interno regolabile in altezza (Floor Box Mono), con due cassettoni (Floor Box Two) o con due cassettoni e un cassetto (Floor Box Three) realizzato in nobilitato laminato o laccato. Misure: Floor Box Mono / Two / Three 44x35x80h

Intermediate cabinet on the floor between the work places with one door and two internal shelves adjustable in height (Floor Box Mono), with two drawers (Floor Box Two) or with two drawers and a small drawer (Floor Box Three) made of laminated laminate or lacquered. Measures: Floor Box Mono / Two / Three 44x35x80h

# Waiting Sofas

GIGLI & MASSIMO  
ITALY







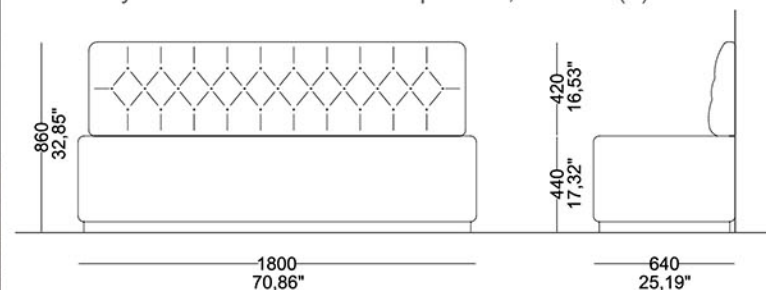


GM180/3C

## CHEOPE GM180

Divano attesa due o tre posti rivestito in sky con colore a scelta, schienale in capitonnè (C) e balsa in laminato acciaio. Misure cm 180x60 3p – cm 130x60 2p. Possibilità di avere schienale senza capitonnè, liscio (L)

Two or three-seater waiting sofa covered in sky with color of your choice, capitonnè backrest and steel laminate support. Measures 180x60 cm 3p - cm 130x60 2p - Possibility to have back without capitonnè, smooth (L)

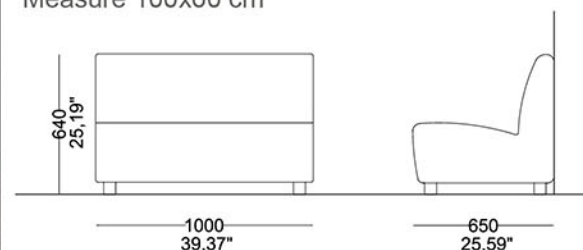


GM181

## DISCO GM181

Divano attesa due posti rivestito in sky con colore a scelta. Struttura in acciaio e poliuretano espanso autoestinguente in classe 1IM. Misura cm 100x60

Two-seater waiting sofa covered in sky with color of your choice, structure in steel and self-extinguishing polyurethane foam in class 1IM. Measure 100x60 cm

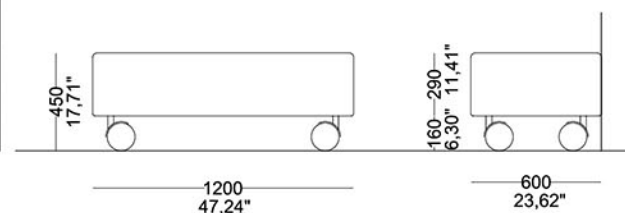


GM182/2C

## PETRA GM182

Panca attesa due o tre posti rivestito in sky con colore a scelta, scocca con ruote industriali. Misure cm 180x60 3p – cm 120x60 2p - Seduta tipo capitonnè (C) o liscia (L)

Two or three-seater waiting bench covered in sky with color of your choice, shell with industrial wheels. Measure 180x60 cm - 120x60 cm - Seat type capitonnè (C) or smooth (L)



# Iron Wood

GIGLI & MASSIMO  
ITALY





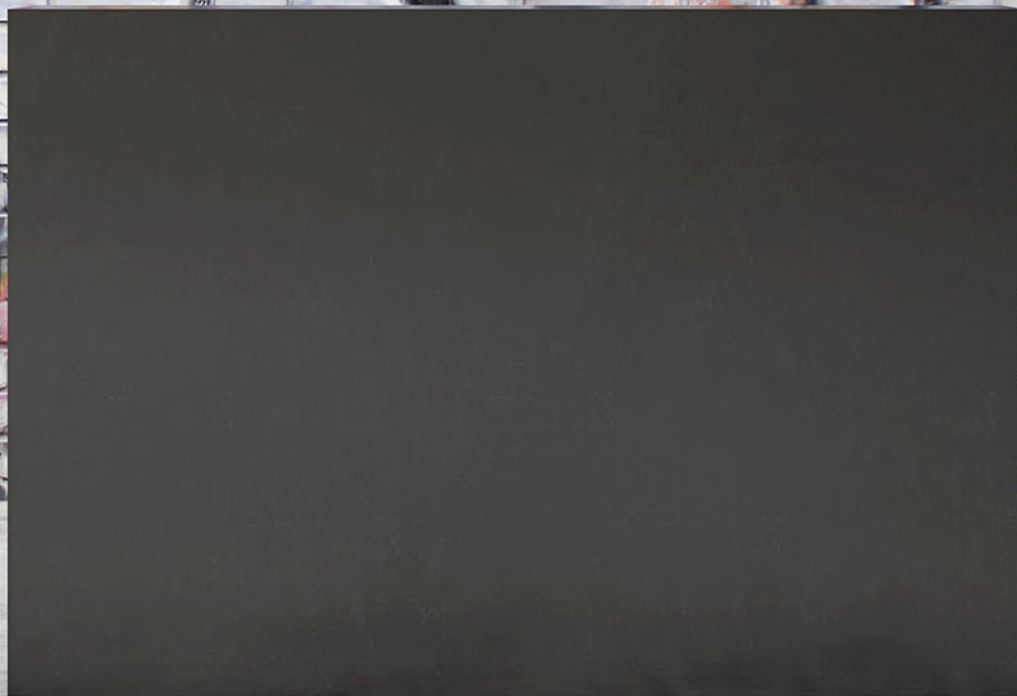
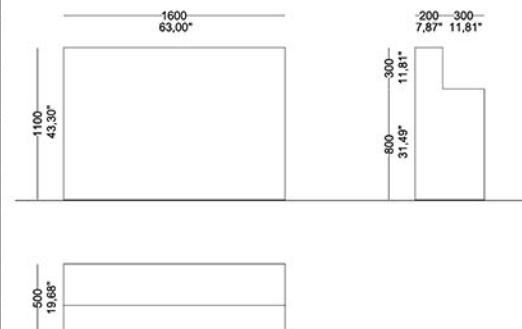
## IRON WOOD DESK GM110

Mobile cassa con struttura in ferro grezzo trattato con cera che ne rallenta il processo di ossidazione. Retro cassa attrezzato con cassetto e vani a giorno in nobilitato con finitura legno.

Tre misure disponibili: GM110/120 GM110/160 GM110/200

Cash Desk with raw iron structure treated with wax to slow down the oxidation process. Rear equipped with drawer and open compartments in melamine with wood finish.

Three sizes available: GM110/120 GM110/160 GM110/200





## IRON WOOD MIRROR GM91

Postazione lavoro sospesa, struttura tubolare in ferro grezzo trattato con cera che ne rallenta il processo di ossidazione e ripiano rimovibile in nobilitato con finitura legno. Poggiapiedi in ferro grezzo escluso.

Accessori disponibili:

art. GM91-F Possibilità di rendere la postazione Double Face con pannello in Forex da 5 mm con stampa digitale personalizzata.

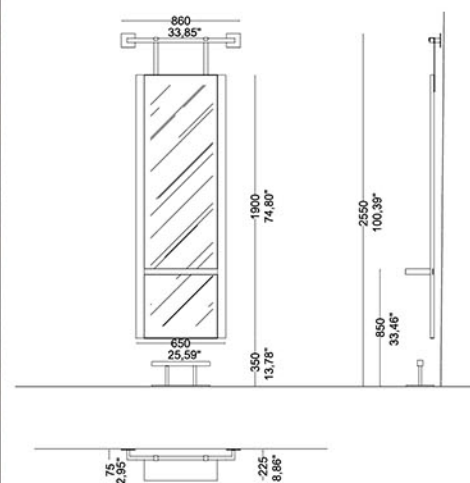
art. GM91-PP Poggiapiedi autoportante in ferro grezzo.

Suspended workstation with tubular structure in raw iron treated with wax to slow down the oxidation process and removable shelf in melamine with wood finish. Footrest in raw iron excluded.

Available accessories:

art. GM91-F Possibility to make the Double Face position with Forex panel from 5 mm with personalized digital print.

art. GM91-PP Self-supporting footrest in raw iron.





## IRON WOOD TABLE GM92

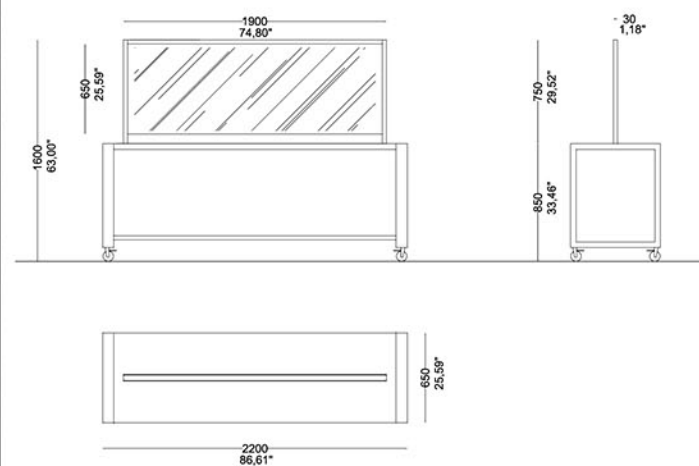
Postazione lavoro 4 posti su ruote, double face con struttura in ferro grezzo trattato con cera che ne rallenta il processo di ossidazione.

Accessori disponibili:

art. GM92-L Possibilità illuminazione a Led incassato nella parte inferiore dello specchio (L).

4-sided double-sided work station on wheels, with raw iron structure treated with wax to slow down the oxidation process.

art. GM92-L Possibility of Led lighting recessed in the lower part of the mirror (L).







## IRON WOOD EXPÒ GM172

Modulo espositivo con struttura tubolare in ferro grezzo trattato con cera che ne rallenta il processo di ossidazione, con 5 ripiani in nobilitato con finitura legno.

Accessori disponibili:

art. GM172-L Possibilità illuminazione a Led sotto ai ripiani (L)

Exhibition module with tubular structure in raw iron treated with wax to slow down the oxidation process, with 5 shelves in melamine with wood finish.

Optional:

art. GM172-L Possibility of LED lighting under the shelves (L)



GM172

## IRON WOOD TROLLEY STORAGE GM173

Modulo espositivo con struttura tubolare in ferro grezzo trattato con cera che ne rallenta il processo di ossidazione, con 3 ripiani in nobilitato con finitura legno e pannelli di chiusura per deposito carrelli. Carrelli esclusi.

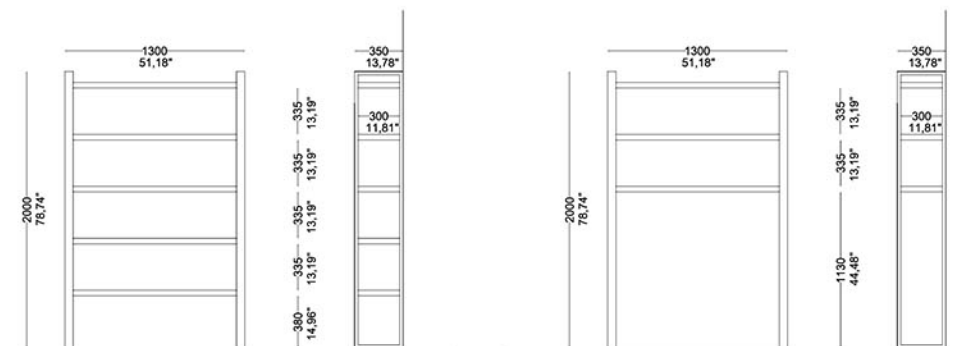
Accessori disponibili:

art. GM173-L Possibilità illuminazione a Led sotto ai ripiani (L)

Exhibition module with raw iron tubular structure treated with wax to slow down the oxidation process, with 3 shelves in melamine with wood finish and closing panels for trolley storage. Trolley storage excluded.

Available accessories:

art. GM173-L Possibility of LED lighting under the shelves (L)



# Barber Shop

GIGLI & MASSIMO  
ITALY



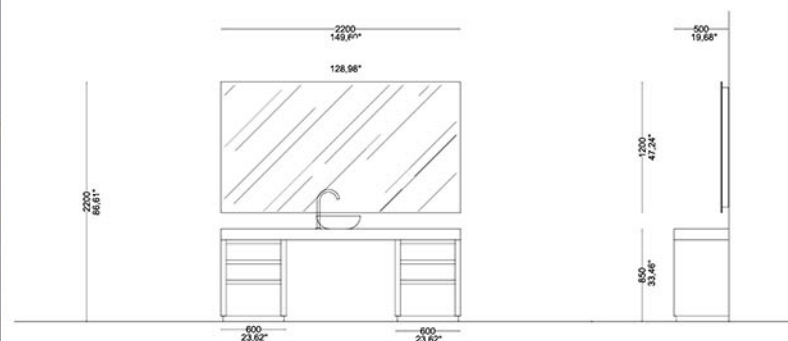
BARBER SHOP  
ESTD 2019



## MAN STATION ONE GM210/1

Postazione lavoro per barber shop ad 1 posto, con struttura laminata e/o laccata, completa di specchiera orizzontale con o senza retro illuminazione (L). Completa di lavabo d'appoggio in ceramica e gruppo miscelatore (su richiesta possibilità di avere lavabo lavatesta con poggiacollo). Optional: Illuminazione a led retro specchi (L), lavabo in ceramica con poggiacollo in alternativa a lavabo d'appoggio GM211

Workstation for barber shop with 1 place, with laminated and / or lacquered structure, complete with horizontal mirror with or without back lighting (L). Complete with ceramic countertop sink and mixer group (on request, it is possible to have a wash-basin with neckrest). Optional: LED back-lighting mirrors (L), ceramic washbasin with headrest instead of countertop washbasin GM211



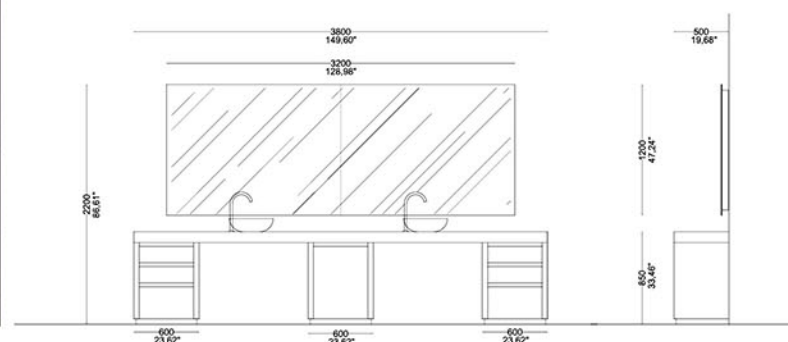
GM210/1

GM211

## MAN STATION TWO GM210/2

Postazione lavoro per barber shop a 2 posti, con struttura laminata e/o laccata, completa di specchiera orizzontale con o senza retro illuminazione (L). Completa di lavabo d'appoggio in ceramica e gruppo miscelatore (su richiesta possibilità di avere lavabo lavatesta con poggiacollo). Optional: Illuminazione a led retro specchi (L), lavabo in ceramica con poggiacollo in alternativa a lavabo d'appoggio GM211

Workstation for barber shop with 2 places, with laminated and / or lacquered structure, complete with horizontal mirror with or without back lighting (L). Complete with ceramic countertop sink and mixer group (on request, it is possible to have a wash-basin with neckrest). Optional: LED back-lighting mirrors (L), ceramic washbasin with headrest instead of countertop washbasin GM211



GM210/2

GM211

■ **URBAN BARBER** GM211 \ su misura 1 o 2 posti



**IRON BARBER** GM212 \ su misura 1 o 2 posti



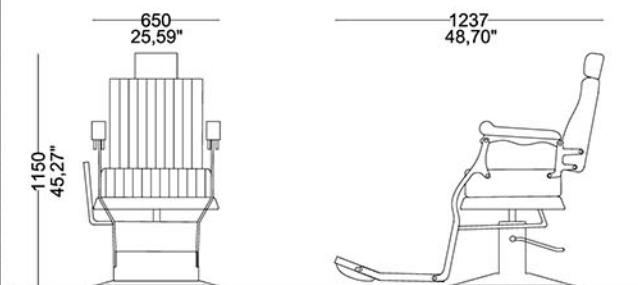




## DON GAETANO GM201

Poltrona uomo per Barber shop, con seduta e poggiatesta completamente reclinabile, con poggiatesta estraibile per eventuale utilizzo dello scivolo lavatesta, completa di pompa idraulica con base a disco. Optional: Accessorio scivolo lavatesta per poltrona barbiere con poggia collo GM 201/S

Barber shop armchair, with fully reclining seat and footrest, with removable headrest for eventual use of the washing unit slide, complete with hydraulic pump with disc base. Optional: headgear for barber chair with neckrest GM 201 / S



# Concept Hair Salon

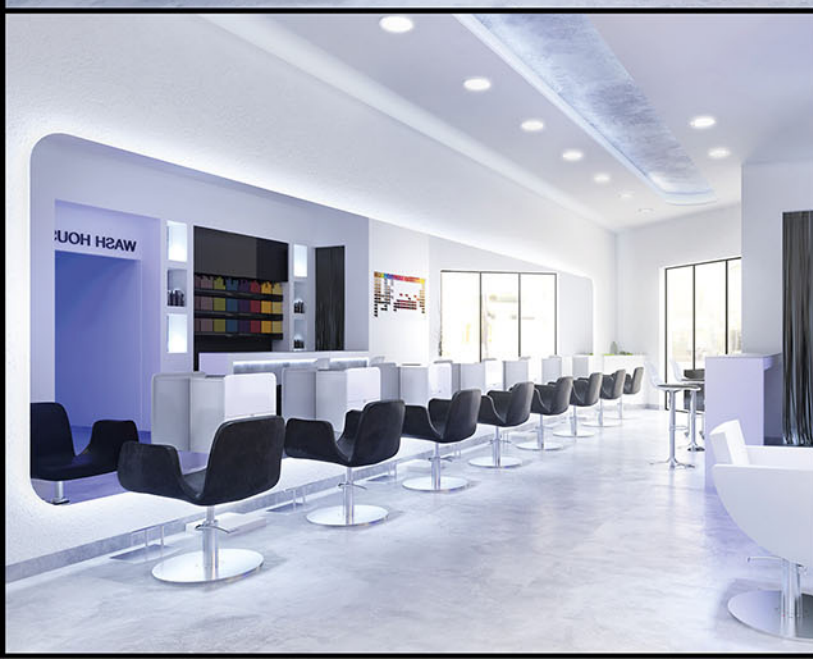
GIGLI & MASSIMO  
ITALY







■ Rustichini Hair | Montevarchi (AR)





Salone Trotta | Roma (RM)





■ Baxter of California | Los Angeles







Jò Casta Parrucchieri | Milano (MI)



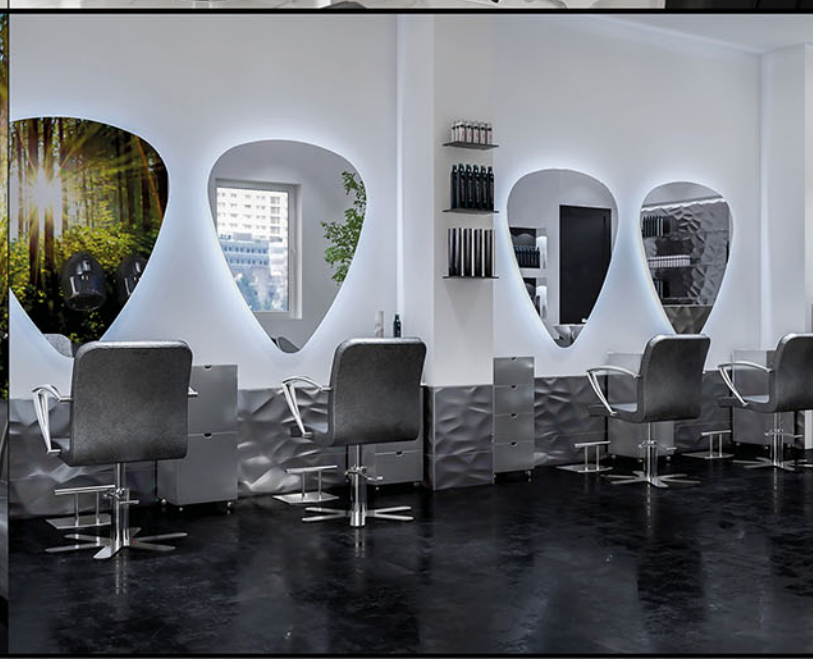




Salone DCAP Zone | Roma (RM)



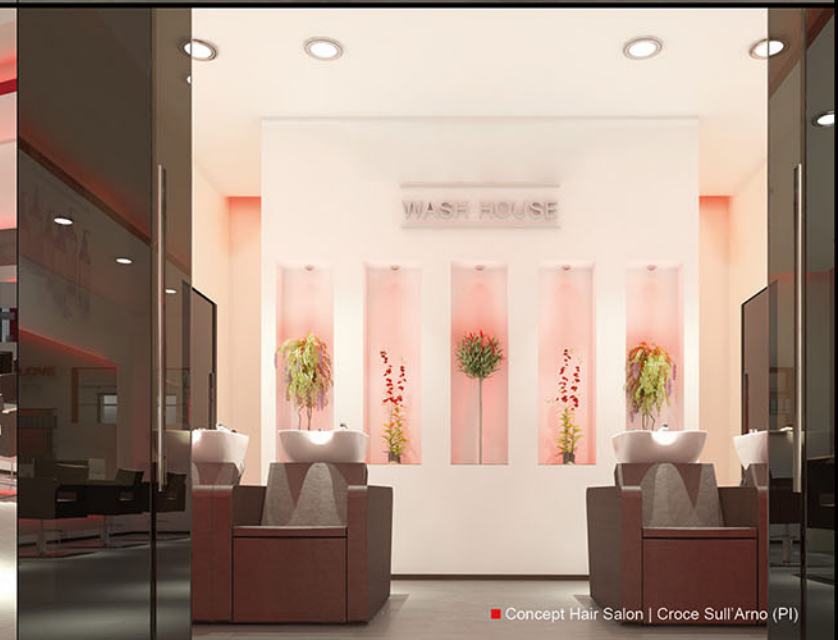
Angelo Fanucchi Hair Salon | Lucca (LU)



Salone Life Style Parrucchieri | Bologna (BO)



Salone Dalidà | Roma (RM)



Concept Hair Salon | Croce Sull'Arno (PI)



Concept Lidia Hair | Bucarest





## CONDIZIONI DI VENDITA Italiano



**Ordini:** gli ordini si accettano solo ed esclusivamente per iscritto ( posta elettronica e fax sono assimilabili ) e divengono vincolati per Eurocomaco srl e per le parti quando Eurocomaco srl invia al cliente la conferma d'ordine.

**Prodotto:** Le caratteristiche dei prodotti illustrati nel catalogo non sono vincolanti. Ci riserviamo di eseguire tutte quelle variazioni che riterremo opportune, senza per altro darne avviso.

**Consegna/Titolo/Rischio:** il termine di consegna indicato nella conferma d'ordine è indicativo. Sono ammesse consegne parziali. La merce viaggia ad esclusivo rischio e pericolo del compratore, anche se venduta porto franco.

Eurocomaco srl non sarà responsabile del ritardo nell'adempimento delle sue obbligazioni ( incluso il ritardo nella consegna ) se tale ritardo sia causato da circostanze al di fuori del suo ragionevole controllo e avrà diritto a fruire di una estensione temporale per l'adempimento.

**Garanzia:** le vendite di cui alle presenti condizioni generali sono relative a PRODOTTI NON DESTINATI AI CONSUMATORI, quali individuati dall'articolo 3 del D.Lgs.206/2005.

**Durata:** Eurocomaco srl garantisce i prodotti per un anno dalla data di consegna.

La garanzia è esclusa se il vizio è provocato o accentuato da un uso non conforme del prodotto da parte del cliente o di terzi, ovvero da una manutenzione non conforme alle indicazioni del produttore, o da interventi di qualunque natura, anche manutentiva, sullo stesso non effettuati o non autorizzati da Eurocomaco srl.

**Pompe:** vengono garantite 24 mesi dalla data di consegna. Si consiglia di non muovere le poltrone dotate di pompa idraulica alzandole con presa sui braccioli.

**Skay/Vinyl:** non sono garantiti per i danni che non derivano da originari vizi di produzione, ma che sono conseguenza di fatti od eventi traumatici per il prodotto. Non può essere considerato vizio originario l'eventuale differenza di tonalità di colore che dovessero presentare articoli o prodotti aventi lo stesso tipo di materiale. Il processo di pulizia prevede l'utilizzo di acqua saponata da distribuirsi tramite mediante una spugna o un panno morbido.

**Parti verniciate e in alluminio:** non sono garantiti per i danni che non derivano da originari vizi di produzione, ma che sono conseguenza di fatti od eventi traumatici per il prodotto. Non può essere considerato vizio originario l'eventuale differenza di tonalità di colore che dovessero presentare articoli o prodotti aventi lo stesso tipo di materiale. Il processo di pulizia prevede l'utilizzo di acqua saponata da distribuirsi tramite mediante una spugna o un panno morbido.

**Neon, Led e Lampadine:** non rientrano nelle normali condizioni di garanzia, trattandosi di materiale di consumo. Il cliente è perciò tenuto ad una verifica immediata dei componenti e, ove riscontrasse una difformità, sarà tenuto a darne comunicazione scritta alla Eurocomaco srl entro e non oltre 8 giorni dal ricevimento della merce stessa; in mancanza, decade il diritto di garanzia.

**Rubinerie:** vengono garantite 24 mesi, le docce e i flessibili per mesi 6 e le cartucce in ceramica per mesi 12.

**Modalità d'intervento Eurocomaco srl:** l'azienda valuterà a proprio insindacabile giudizio se il problema rientra o meno nella copertura di garanzia commerciale. A seguito dell'esame del prodotto, si impegna alla sostituzione o riparazione dei pezzi che risultassero difettosi all'origine, che verranno resi franco fabbrica.

**Giurisdizione:** il presente contratto è regolato dalla legge italiana ed è soggetto alla giurisdizione esclusiva del Foro di Firenze.

## TERMS OF SALE English



**Orders:** orders are accepted solely and exclusively in writing ( email and fax are the same ) and become binding for Eurocomaco srl and between the parties when Eurocomaco srl sends the order confirmation to the Customer.

**Product:** the product characteristics illustrated in the catalogue are not binding. We reserve the right to make all changes we consider appropriate, without any prior notice.

**Delivery/Title/Risk:** the delivery time indicated in the order confirmation is indicative. Partial deliveries are permitted. The goods travel at the exclusive risk and danger of the purchaser, even when sold carriage free.

Eurocomaco srl will not be liable for any delay in fulfilment of its obligations ( included late delivery ) if said delay is caused by circumstances beyond its reasonable control and will be entitled to an extension for fulfilment.

**Warranty:** this warranty is destined for Customers operating in their own professional activities, as in the definition in article 1.

The sales indicated in these general terms relate to PRODUCTS NOT DESTINED FOR CONSUMERS, as identified in article 3 of Legislative Decree 206/2005.

**Duration:** Eurocomaco srl guarantees the products for one year from the date of delivery. The warranty is excluded if the defect is caused or accentuated by improper use of the product by the Customer or third parties, or by the maintenance which does not conform with the manufacturer's indications, or interventions of any kind, including maintenance, on them which is not performed or not authorised by Eurocomaco srl.

**Pumps:** these are guaranteed for 24 months from the delivery date. It is recommended not to move chairs with hydraulic pumps by lifting them by the armrests.

**Skay/Vinyl:** this is not guaranteed against damages which do not derive from original manufacturing defects and/or poor quality of the materials used, but which are the consequence of traumatic facts or events for the product.

Any difference of color shade of articles or products with the same type of vinyl may not be considered as an original manufacturing defect. The cleaning process for synthetic upholstery requires use of soapy water to be distributed using a sponge or damp cloth.

**Paint and aluminium parts:** these are not guaranteed against damages which do not derive from original manufacturing defects and/or poor quality of the materials used, but which are the consequence of traumatic facts or events for the product.

The cleaning process for synthetic upholstery requires use of soapy water to be distributed using a sponge or damp cloth.

**Electric parts:** excluding neon, lights, leds and bulbs, these are covered by the general terms of warranty, provided the damage is not caused by sudden changes in voltage which exceed the limits indicated by CE regulations ( 220/240V, 50hz, +/- 10% )

**Taps, showers and hoses:** taps are guaranteed for 24 months, showers for 12 months and ceramic cartridges for 12 months.

**Eurocomaco srl intervention methods:** Eurocomaco srl will examine the product and will assess, as its own unquestionable discretion, whether or not the problem is covered by Eurocomaco srl warranty, through its own intervention service, and following examination, agrees to replace or repair items which are defective at origin, which will be returned ex works.

**Jurisdiction:** this contract is governed by Italian law and is subject to the exclusive jurisdiction of Firenze court.

**GIGLI&MASSIMO Italy**

distribuito da:

**EUROCOMACO S.R.L. Via G. Salvemini 9-9a Signa -FI- ITALIA**

**P.I. Iscr. Reg. Imprese Firenze n. 04945280487 REA n. 503530 Cap. Soc. Euro 15.600,00**

**Tel. 055.8728205 e-mail: [info@eurocomaco.it](mailto:info@eurocomaco.it) PEC: [eurocomaco@legalmail.it](mailto:eurocomaco@legalmail.it)**

**[www.eurocomaco.it](http://www.eurocomaco.it)**